

OMNIMATE® Data

OMNIMATE® Data	PCB connectors - OMNIMATE® Data	B.2
	RJ45 modular jacks	B.4
	RJ45 transformer jacks	B.24
	USB jacks	B.42

Reliable transmission of high-frequency data

OMNIMATE® data components meet the highest demands

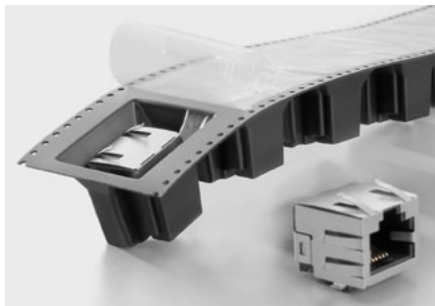
A wide variety of PCB jacks are needed for the data transmission in Industrial Ethernet environment. Trends in technology, like the shift from fieldbus to Industrial Ethernet, demand an increasing number of designs of RJ45 PCB jacks to enable adaptation to individual housing design.

RJ45 components from Weidmüller ensure a reliable transmission with high data rates of up to 1 Gbps and provide sufficient safety reserves. With diverse variants, such as for THT, THR or SMT soldering methods, the PCB sockets are suitable for all common methods of circuit board assembly. The shielded technology also allows its use in products for harsh and electromagnetically noisy environments.



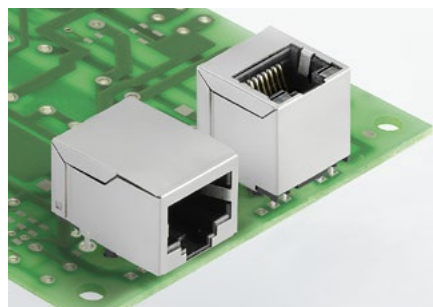
Process-optimised assembly

Suitable for fully automatic assembly (tape on reel) or assembly by hand (tray).



Variants for every soldering process

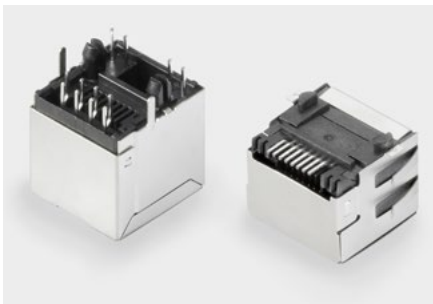
We offer suitable products that allow reliable PCB assembly for each of the technologies, SMT, THT or THR soldering, and for any assembly process.





Trouble-free assembly

High placement precision due to shorter solder pins (PiP soldering) with chamfered pin tops. In the THR process, this prevents the solder paste from being pressed out of the holes.



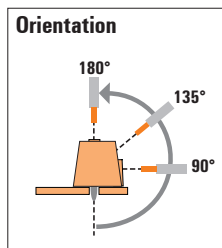
Your special advantages

- Weidmüller RJ45 PCB jacks actively counteract noises by integrated "Magnetics", save space on the circuit board and reduce assembly costs
- The reinforced gold layer improves corrosion protection, reduces contact problems and guarantees high durability



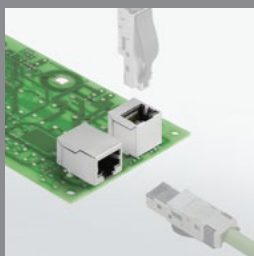
Webcode: #11406

<http://www.OMNIMATE.net>



RJ45 modular jacks

- Shielded
- Contact surface: 30µ" Au
- Temperature range: -40 °C to +85 °C



Mounting onto the PCB



SMT-soldering process



THR-soldering process



Wave soldering process

Reference picture	Outgoing elbow/ Latch option	Shield tabs	LED (left/right)	Performance category
	180° vertical	No	No	Cat.3
		Yes	No	Cat.3
	90° horizontal/latch down	No	No	Cat.3
		No	No	Cat.3
	90° horizontal/latch up	No	No	Cat.3
		Yes	G/Y	Cat.3
		Yes	No	Cat.3
	180° vertical	No	G/Y	Cat.5
		No	No	Cat.5
	90° horizontal/latch down	Yes	G/Y	Cat.5
		Yes	No	Cat.5
	90° horizontal/latch up	Yes	No	Cat.5
		No	G/Y	Cat.5
	180°/vertical	No	No	Cat.6
		No	G/Y	Cat.5
		No	No	Cat.5
		No	No	Cat.5
	90°/latch down	No	No	Cat.5
		Yes	G/Y	Cat.5
		Yes	No	Cat.5
	90°/latch up	No	No	Cat.6
		No	No	Cat.5
		Yes	G/Y	Cat.5
		Yes	No	Cat.5

Note:
 *1 Solder pin - shield THR
 *2 Solder pin - shield SMT
 *3 Solder pin - shield front

Packaging	Order No.	Type
Tape	1433900000	RJ45C3 S1V 2.7N4N RL
Tape	2514600000	RJ45C3 S1V 2.7E4N RL
Tape	2000890000	RJ45C3 S1D 2.7N4N RL*1
Tape	1433890000	RJ45C3 S1D 2.7N4N RL*2
Tape	1455220000	RJ45C3 S1U 0.9N4N RL
Tape	2562890000	RJ45C3 S1U DE4G/Y RL
Tape	2562940000	RJ45C3 S1U DE4N RL
Tray	2516380000	RJ45C5 R1V 3.2N4G/Y TY
Tape	2562970000	RJ45C5 R1V 3.2N4N RL
Tape	2562870000	RJ45C5 R1D 3.2E4G/Y RL
Tape	2562910000	RJ45C5 R1D 3.3E4N RL
Tape	2562930000	RJ45C5 R1U 2.8E4N RL
Tape	2562950000	RJ45C5 R1U 2.8N4G/Y RL
Tray	1433920000	RJ45C6 T1V 3.8N4N TY
Tray	2562960000	RJ45C5 T1V 3.2N4G/Y TY
Tray	2436450000	RJ45C5 T1V 4.0N4N TY
Tray	1433810000	RJ45C5 T1V 3.2N4N TY*3
Tray	1433800000	RJ45C5 T1D 3.2N4N TY
Tray	2562820000	RJ45C5 T1D 3.2E4G/Y TY
Tray	2562900000	RJ45C5 T1D 3.3E4N TY
Tray	1433910000	RJ45C6 T1U 2.7N4N TY
Tray	1455240000	RJ45C5 T1U 2.8N4N TY
Tray	2562880000	RJ45C5 T1U 2.8E4G/Y TY
Tray	2562920000	RJ45C5 T1U 2.8E4N TY

RJ45 G1 R1U 3.2E4 GY/GY TY RJ45G1 R1U 3.2E4GY/GY TY

Packaging	TY RL	Tray in box (manual assembly) Tape on Reel (automated assembly)
LED	Y/G G/Y GY/GY O/G R/O ... N	Yellow/Green Green/Yellow (standard) Green-Yellow/Green-Yellow Orange/Green Red/Orange ... (further combinations possible) without LED
Contact surface thickness	4	1 = 3µm, 2 = 6µm, 3 = 15µm, 4 = 30µm, 5 = 50µm
EMI tabs (ground fingers)	E N	E = with EMI tabs N = without EMI tabs
Solder Pin length	3.2 1.6 D	3.2 mm 1.6 mm SMD
Direction, latch style	U D V Y	Horizontal (90°, side entry), latch up Horizontal (90°, side entry), latch down Vertical (180°, top entry) Diagonal (45°), latch up
Number of Ports	1 12; 14; ... 21; 41; ...	1 Port multi ports side by side, Multiport multi ports about each other, Multilevel
Assembly on PCB	R S T	Through Hole Reflow - THR Soldering process: Wave or Reflow soldering S Surface Mount Technology - SMT Soldering process: Reflow soldering Through Hole Technology - THT Soldering process: Wave
Performance Category	C5 C6 C6A C5e M G1 G10 U MP MP+	Category 5 Category 6 Category 6A Category 5e 10/100 Mbit 10/100/1000 Mbit 10 Gbit Unshielded 10/100 Mbit with POE 10/100 Mbit with POE+

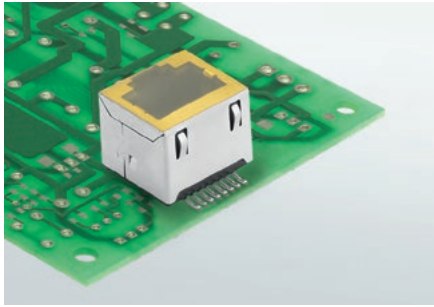
**RJ45 modular jacks
for SMT soldering process**

1x1 port, 180° (vertical)

For additional articles and information, refer to catalog.weidmueller.com



OMNIMATE® Data



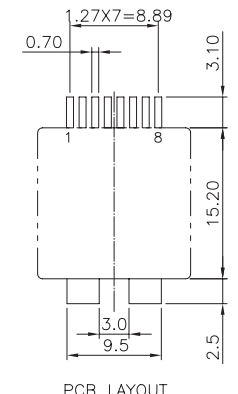
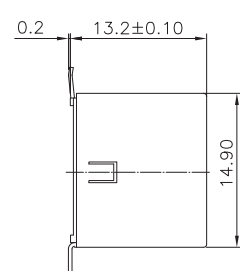
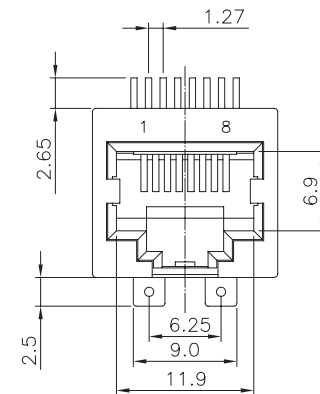
- 360° shielding
- Contact surface 30µ" (0.76µm) Au
- ≥750 plugging cycles
- Extended temperature range: -40 °C to +85 °C
- For fully automatic assembly (tape-on-reel)
- Optimised package sizes
- Other variations on request

B

Technical data

Outgoing elbow	180°
Pitch	1.27 mm
Type of insulation material	PA 9T
Colour	Black
UL 94 flammability rating	V-0
Moisture Level (MSL)	1
Shielding material	Copper alloy
Shield surface	nickel-plated
Contact base material	Phosphorus bronze
Note	

Layer structure of plug contact	30-80 µ" Ni / 30-µ" Au
Operating temperature	-40...85 °C
Rated voltage	125 V AC
Rated current	1.5 A
Dielectric strength, contact / contact	≥ 1000 V DC
Insulation resistance	> 500 MΩ
Plugging cycles	750
Approvals	CURUS
Pin dimensions = d	

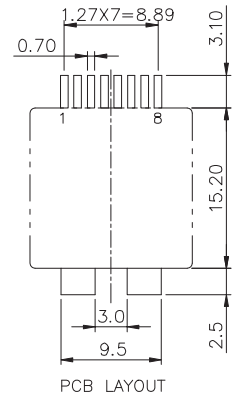
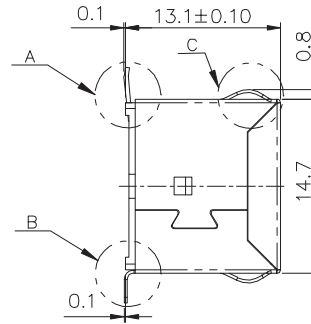
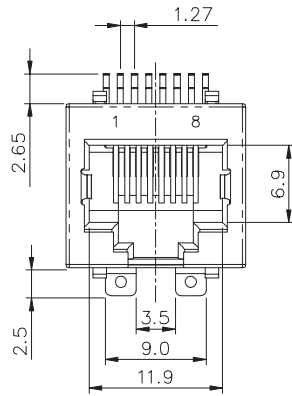
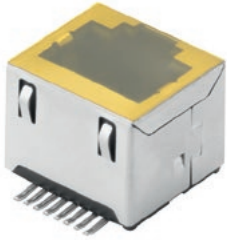


Ordering data

Type	Mounting onto the PCB	Latch option	Shield tabs	LED	Performance-Category	Packaging	Qty.	Order No.
RJ45C3 S1V 2.7N4N RL	SMD solder connection		none	No	Cat.3	Tape	300	1433900000

Other versions on request





Ordering data

Type	Mounting onto the PCB	Latch option	Shield tabs	LED	Performance-Category	Packaging	Qty.	Order No.
RJ45C3 S1V 2.7E4N RL	SMD solder connection		4 tabs	No	Cat.3	Tape	300	251460000

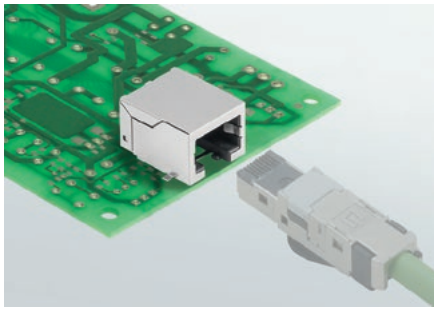
**RJ45 modular jacks
for SMT soldering process**

1x1 port, 90° (horizontal) latch down

For additional articles and information, refer to catalog.weidmueller.com



OMNIMATE® Data



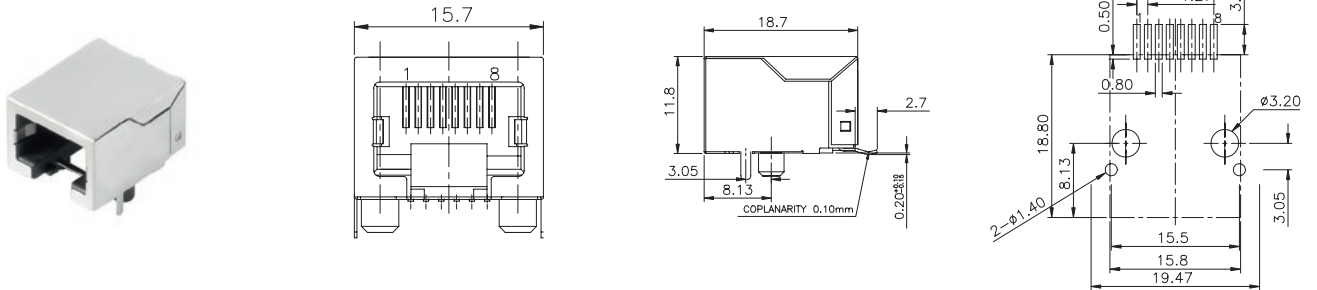
- 360° shielding
- Contact surface 30µ" (0.76µm) Au
- ≥750 plugging cycles
- Extended temperature range: -40 °C to +85 °C
- For fully automatic assembly (tape-on-reel)
- Optimised package sizes
- Other variations on request

B

Technical data

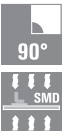
Outgoing elbow	90°
Pitch	1.27 mm
Type of insulation material	PA 9T
Colour	Black
UL 94 flammability rating	V-0
Moisture Level (MSL)	1
Shielding material	Copper alloy
Shield surface	nickel-plated
Contact base material	Phosphorus bronze
Note	

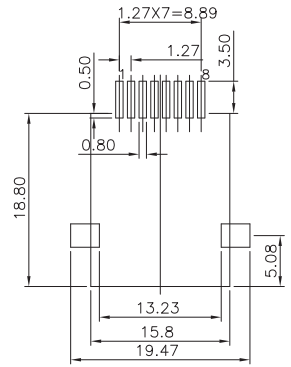
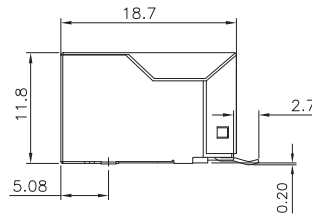
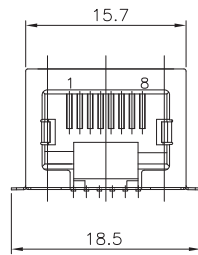
Layer structure of plug contact	30-80 µ" Ni / 30-µ" Au
Operating temperature	-40...85 °C
Rated voltage	125 V AC
Rated current	1.5 A
Dielectric strength, contact / contact	≥ 1000 V DC
Insulation resistance	> 500 MΩ
Plugging cycles	750
Approvals	CURUS
Pin dimensions = d	



Ordering data

Type	Mounting onto the PCB	Latch option	Shield tabs	LED	Performance-Category	Packaging	Qty.	Order No.
RJ45C3 S1D 2.7N4N RL	SMD solder connection	bottom	none	No	Cat.3	Tape	240	2000890000





PCB LAYOUT

Ordering data

Type	Mounting onto the PCB	Latch option	Shield tabs	LED	Performance-Category	Packaging	Qty.	Order No.
RJ45C3 S1D 2.7N4N RL	SMD solder connection	bottom	none	No	Cat.3	Tape	300	1433890000
Other versions on request								

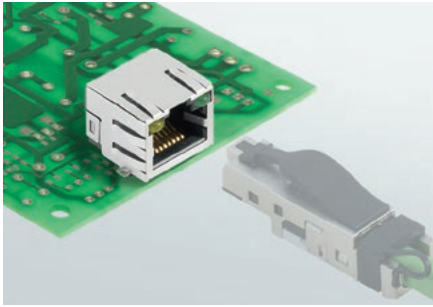
**RJ45 modular jacks
for SMT soldering process**

1x1 port, 90° (horizontal) latch up

For additional articles and information, refer to catalog.weidmueller.com



OMNIMATE® Data



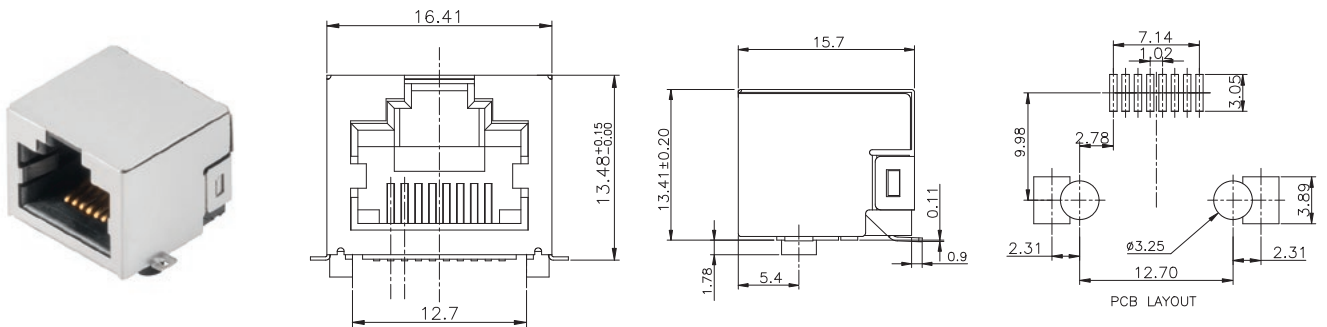
- 360° shielding
- Contact surface 30µ" (0.76µm) Au
- ≥750 plugging cycles
- Extended temperature range: -40 °C to +85 °C
- For fully automatic assembly (tape-on-reel)
- Optimised package sizes
- Other variations on request

B

Technical data

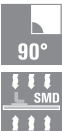
Outgoing elbow	90°
Pitch	1.27 mm
Type of insulation material	PA 9T
Colour	Black
UL 94 flammability rating	V-0
Moisture Level (MSL)	1
Shielding material	Copper alloy
Shield surface	nickel-plated
Contact base material	Phosphorus bronze
Note	

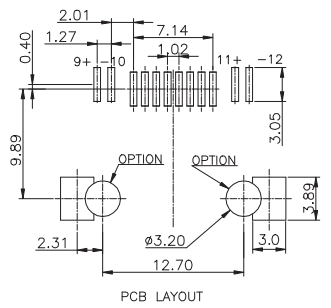
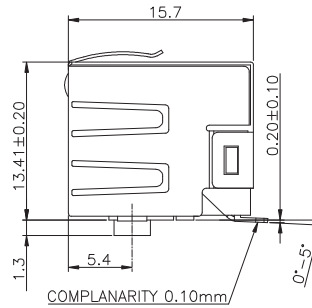
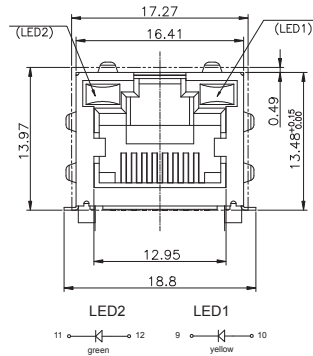
Layer structure of plug contact	30-80 µ" Ni / 30-µ" Au
Operating temperature	-40...85 °C
Rated voltage	125 V AC
Rated current	1.5 A
Dielectric strength, contact / contact	≥ 1000 V DC
Insulation resistance	> 500 MΩ
Plugging cycles	750
Approvals	CURUS
Pin dimensions = d	



Ordering data

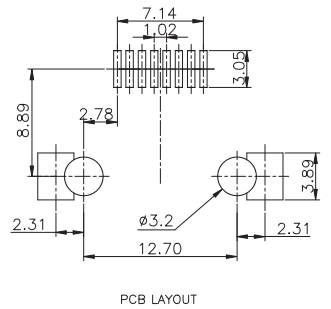
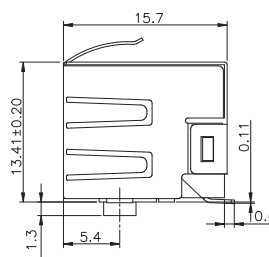
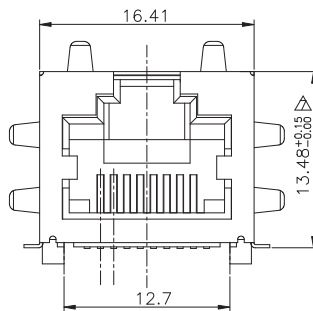
Type	Mounting onto the PCB	Latch option	Shield tabs	LED	Performance-Category	Packaging	Qty.	Order No.
RJ45C3 S1U 0.9N4N RL	SMD solder connection	top	none	No	Cat.3	Tape	200	1455220000
Other versions on request								





Ordering data

Type	Mounting onto the PCB	Latch option	Shield tabs	LED	Performance-Category	Packaging	Qty.	Order No.
RJ45C3 S1U DE4G/Y RL	SMD solder connection	top	6 tabs	Yes	Cat.3	Tape	200	2562890000



Ordering data

Type	Mounting onto the PCB	Latch option	Shield tabs	LED	Performance-Category	Packaging	Qty.	Order No.
RJ45C3 S1U DE4N RL	SMD solder connection	top	6 tabs	No	Cat.3	Tape	200	2562940000

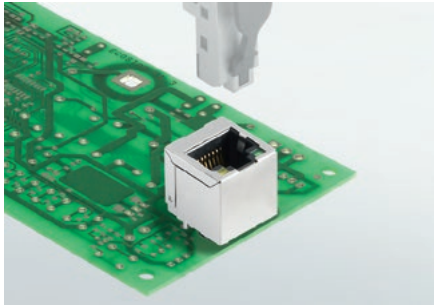
**RJ45 modular jacks
for THR soldering process**

1x1 port, 180° (vertical)

For additional articles and information, refer to catalog.weidmuller.com



OMNIMATE® Data



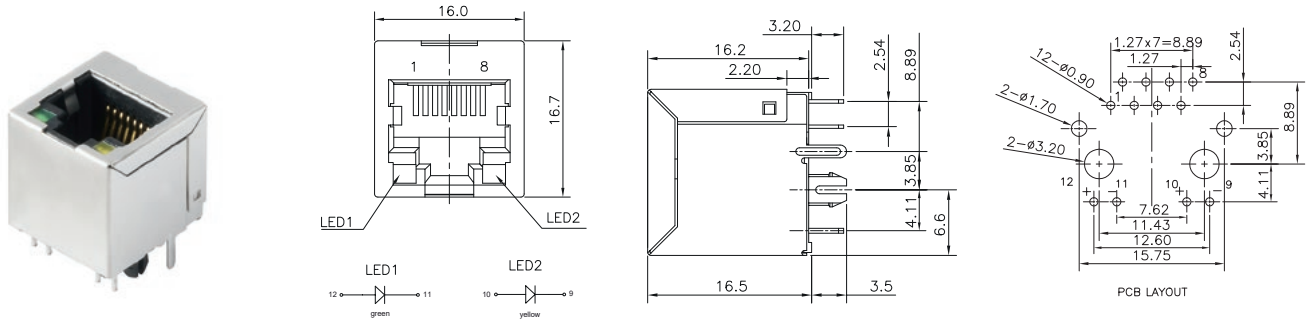
- 360° shielding
- Contact surface 30µ" (0.76µm) Au
- ≥750 plugging cycles
- Extended temperature range: -40 °C to +85 °C
- For fully automated assembly (tape-on-reel) or manual assembly (tray)
- Optimised package sizes
- Other variations on request

B

Technical data

Outgoing elbow	180°
Pitch	1.27 mm
Type of insulation material	PA 9T
Colour	Black
UL 94 flammability rating	V-0
Moisture Level (MSL)	1
Shielding material	Brass
Shield surface	nickel-plated
Contact base material	Phosphorus bronze
Note	

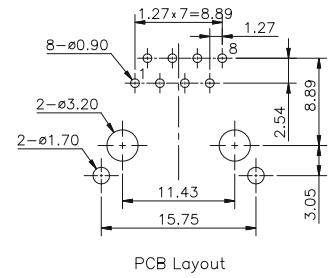
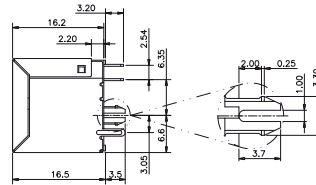
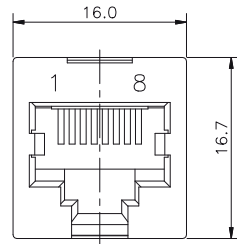
Layer structure of plug contact	30-80 µ" Ni / 30-µ" Au
Operating temperature	-40...85 °C
Rated voltage	125 V AC
Rated current	1.5 A
Dielectric strength, contact / contact	1500 V DC
Insulation resistance	1000 MΩ at 500 V DC
Plugging cycles	750
Approvals	CURUS
Pin dimensions = d	



Ordering data

Type	Mounting onto the PCB	Latch option	Shield tabs	LED	Performance-Category	Packaging	Qty.	Order No.
RJ45C5 R1V 3.2N4G/Y TY	THT/THR solder connection		none	Yes	Cat. 5	Tray	120	2516380000





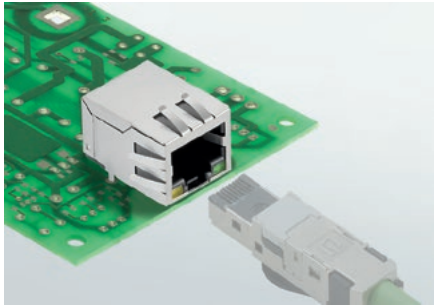
Ordering data

Type	Mounting onto the PCB	Latch option	Shield tabs	LED	Performance-Category	Packaging	Qty.	Order No.
RJ45C5 R1V 3.2N4N RL	THT/THR solder connection		none	No	Cat. 5	Tape	200	2562970000

**RJ45 modular jacks
for THR soldering process**

1x1 port, 90° (horizontal) latch down

For additional articles and information, refer to catalog.weidmueller.com

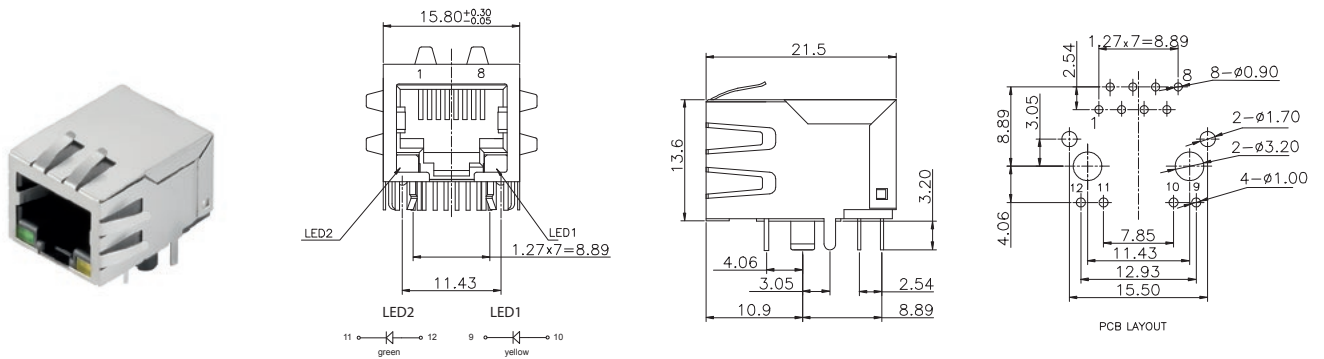


- 360° shielding
- Contact surface 30µ" (0.76µm) Au
- ≥750 plugging cycles
- Extended temperature range: -40 °C to +85 °C
- For fully automated assembly (tape-on-reel) or manual assembly (tray)
- Optimised package sizes
- Other variations on request

Technical data

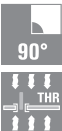
Outgoing elbow	90°
Pitch	1.27 mm
Type of insulation material	PA 9T
Colour	Black
UL 94 flammability rating	V-0
Moisture Level (MSL)	1
Shielding material	Brass
Shield surface	nickel-plated
Contact base material	Phosphorus bronze
Note	

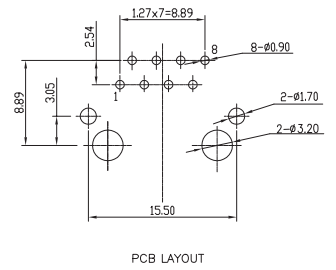
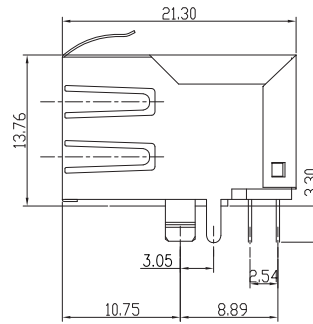
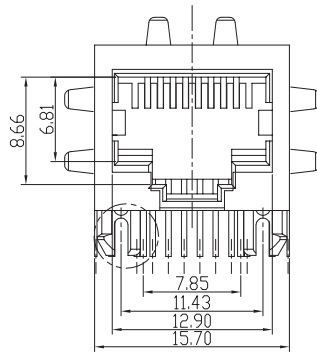
Layer structure of plug contact	30-80 µ" Ni / 30-µ" Au
Operating temperature	-40...85 °C
Rated voltage	125 V AC
Rated current	1.5 A
Dielectric strength, contact / contact	1000 V AC
Insulation resistance	1000 MΩ at 500 V DC
Plugging cycles	750
Approvals	CURUS
Pin dimensions = d	



Ordering data

Type	Mounting onto the PCB	Latch option	Shield tabs	LED	Performance-Category	Packaging	Qty.	Order No.
RJ45C5 R1D 3.2E4G/Y RL	THT/THR solder connection	bottom	6 tabs	Yes	Cat. 5	Tape	200	2562870000





Ordering data

Type	Mounting onto the PCB	Latch option	Shield tabs	LED	Performance-Category	Packaging	Qty.	Order No.
RJ45C5 R1D 3.3E4N RL	THT/THR solder connection	bottom	6 tabs	No	Cat. 5	Tape	200	2562910000

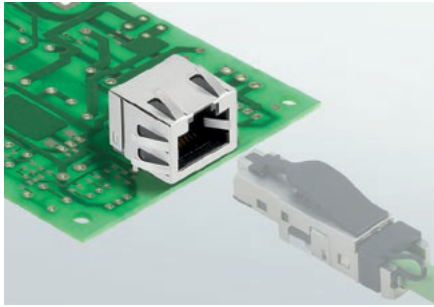
**RJ45 modular jacks
for THR soldering process**

OMNIMATE® Data

B

1x1 port, 90° (horizontal) latch up

For additional articles and information, refer to catalog.weidmueller.com

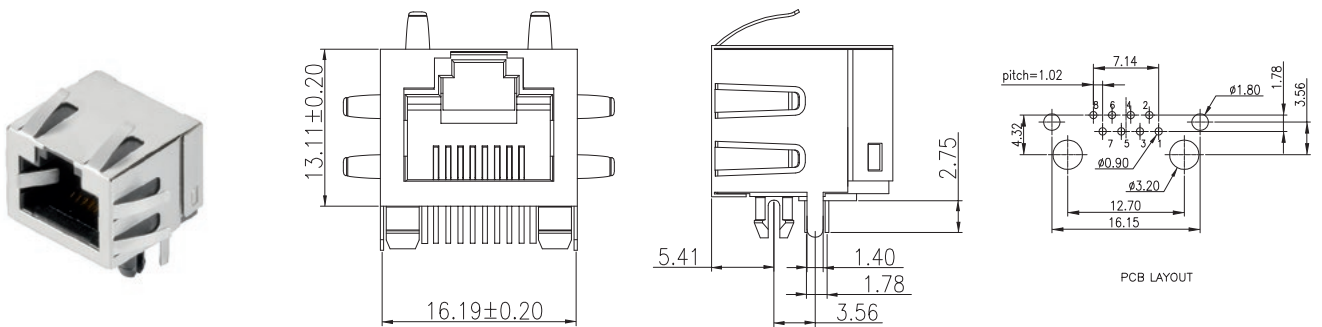


- 360° shielding
- Contact surface 30µ" (0.76µm) Au
- ≥750 plugging cycles
- Extended temperature range: -40 °C to +85 °C
- For fully automated assembly (tape-on-reel) or manual assembly (tray)
- Optimised package sizes
- Other variations on request

Technical data

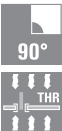
Outgoing elbow	90°
Pitch	1.27 mm
Type of insulation material	PA 9T
Colour	Black
UL 94 flammability rating	V-0
Moisture Level (MSL)	1
Shielding material	Brass
Shield surface	nickel-plated
Contact base material	Phosphorus bronze
Note	

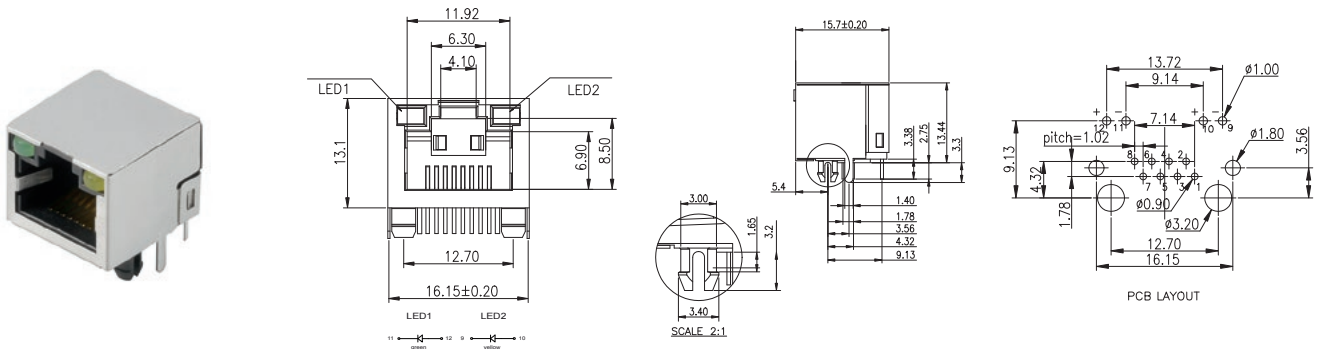
Layer structure of plug contact	30-80 µ" Ni / 30-µ" Au
Operating temperature	-40...85 °C
Rated voltage	125 V AC
Rated current	1.5 A
Dielectric strength, contact / contact	1000 V AC
Insulation resistance	1000 MΩ at 500 V DC
Plugging cycles	750
Approvals	CURUS
Pin dimensions = d	



Ordering data

Type	Mounting onto the PCB	Latch option	Shield tabs	LED	Performance-Category	Packaging	Qty.	Order No.
RJ45C5 R1U 2.8E4N RL	THT/THR solder connection	bottom	6 tabs	No	Cat. 5	Tape	200	2562930000





Ordering data

Type	Mounting onto the PCB	Latch option	Shield tabs	LED	Performance-Category	Packaging	Qty.	Order No.
RJ45C5 R1U 2.8N4G/Y RL	THT/THR solder connection	top	none	Yes	Cat. 5	Tape	200	2562950000

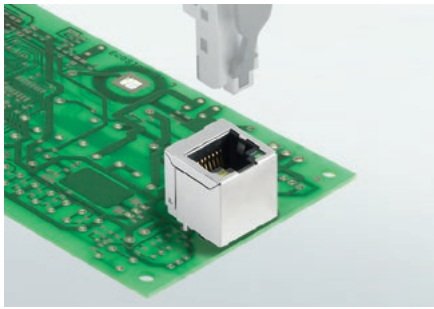
**RJ45 modular jacks
for wave soldering process**

1x1 port, 180° (vertical)

For additional articles and information, refer to catalog.weidmueller.com



OMNIMATE® Data



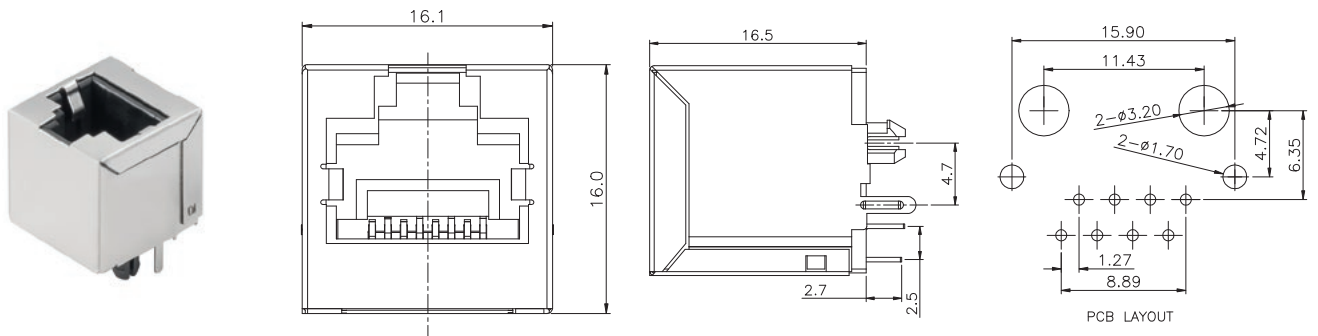
- 360° shielding
- Contact surface 30µ" (0.76µm) Au
- ≥750 plugging cycles
- Extended temperature range: -40 °C to +85 °C
- For manual assembly
- Optimised package sizes
- Other variations on request

B

Technical data

Outgoing elbow	180°
Pitch	1.27 mm
Type of insulation material	PA 66
Colour	Black
UL 94 flammability rating	V-0
Shielding material	Copper alloy
Shield surface	nickel-plated
Contact base material	Phosphorus bronze
Note	

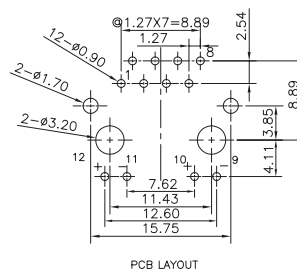
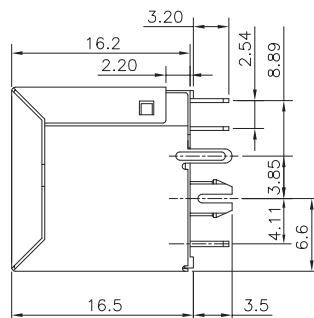
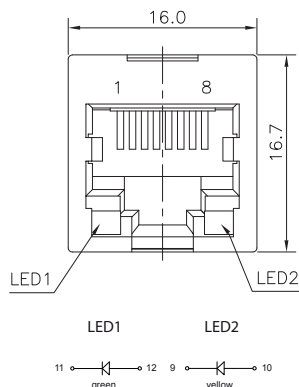
Layer structure of plug contact	30-80 µ" Ni / 30-µ" Au
Operating temperature	-40...85 °C
Rated voltage	125 V AC
Rated current	1.5 A
Dielectric strength, contact / contact	≥ 1000 V DC
Insulation resistance	1000 MΩ at 500 V DC
Plugging cycles	750
Approvals	CURUS
Pin dimensions = d	0.40 x 0.30 mm



Ordering data

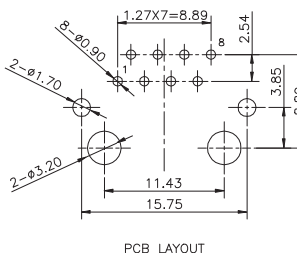
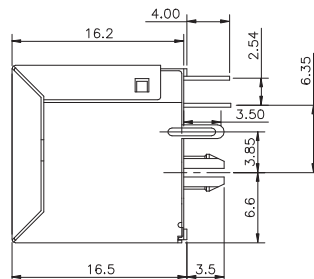
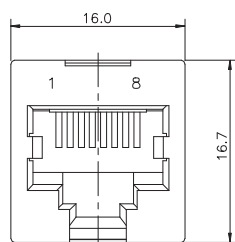
Type	Mounting onto the PCB	Latch option	Shield tabs	LED	Performance-Category	Packaging	Qty.	Order No.
RJ45C6 T1V 3.8N4N TY	THT solder connection		none	No	Cat. 6	Tray	160	1433920000
Other versions on request								





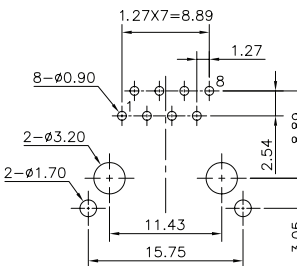
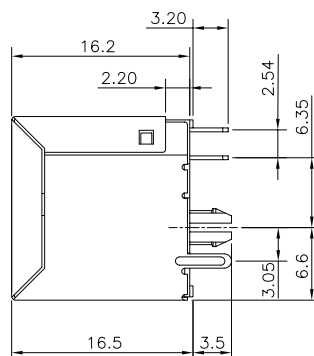
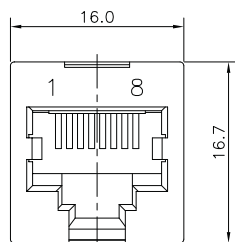
Ordering data

Type	Mounting onto the PCB	Latch option	Shield tabs	LED	Performance-Category	Packaging	Qty.	Order No.
RJ45C5 T1V 3.2N4G/Y TY	THT solder connection		none	Yes	Cat. 5	Tray (manual assembly)	120	2562960000



Ordering data

Type	Mounting onto the PCB	Latch option	Shield tabs	LED	Performance-Category	Packaging	Qty.	Order No.
RJ45C5 T1V 3.2N4N TY	THT solder connection		none	No	Cat. 5	Tray (manual assembly)	120	2436450000



Ordering data

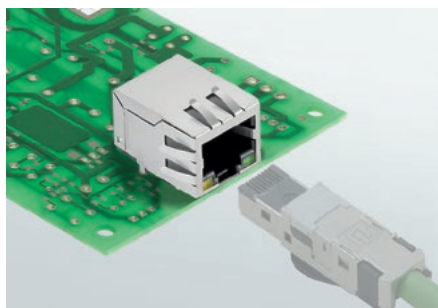
Type	Mounting onto the PCB	Latch option	Shield tabs	LED	Performance-Category	Packaging	Qty.	Order No.
RJ45C5 T1V 3.2N4N TY	THT solder connection		none	No	Cat. 5	Tray	120	1433810000

Other versions on request

RJ45 modular jacks for wave soldering process

1x1 port, 90° (horizontal) latch down

For additional articles and information, refer to catalog.weidmueller.com



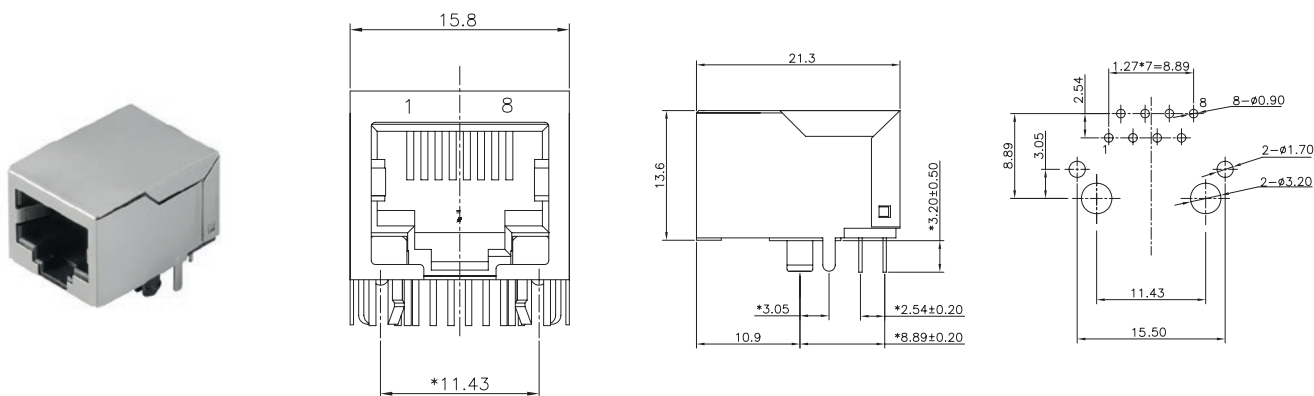
- 360° shielding
- Contact surface 30µ" (0.76µm) Au
- ≥750 plugging cycles
- Extended temperature range: -40 °C to +85 °C
- For manual assembly
- Optimised package sizes
- Other variations on request

Technical data

Outgoing elbow	90°
Pitch	1.27 mm
Type of insulation material	PA 66
Colour	Black
UL 94 flammability rating	V-0
Shielding material	Copper alloy
Shield surface	nickel-plated
Contact base material	Phosphorus bronze

Layer structure of plug contact	30-80 µ" Ni / 30-µ" Au
Operating temperature	-40...85 °C
Rated voltage	125 V AC
Rated current	1.5 A
Dielectric strength, contact / contact	≥ 1000 V DC
Insulation resistance	> 500 MΩ
Plugging cycles	750
Approvals	CURUS
Pin dimensions = d	0.40 x 0.30 mm

Note



Ordering data

Type	Mounting onto the PCB	Latch option	Shield tabs	LED	Performance-Category	Packaging	Qty.	Order No.
RJ45C5 T1D 3.2N4N TY	THT solder connection	bottom	none	No	Cat. 5	Tray	120	1433800000

Other versions on request



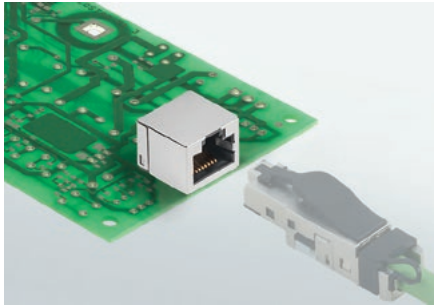
**RJ45 modular jacks
for wave soldering process**

1x1 port, 90° (horizontal) latch up

For additional articles and information, refer to catalog.weidmueller.com



OMNIMATE® Data



- 360° shielding
- Contact surface 30µ" (0.76µm) Au
- ≥750 plugging cycles
- Extended temperature range: -40 °C to +85 °C
- For manual assembly
- Optimised package sizes
- Other variations on request

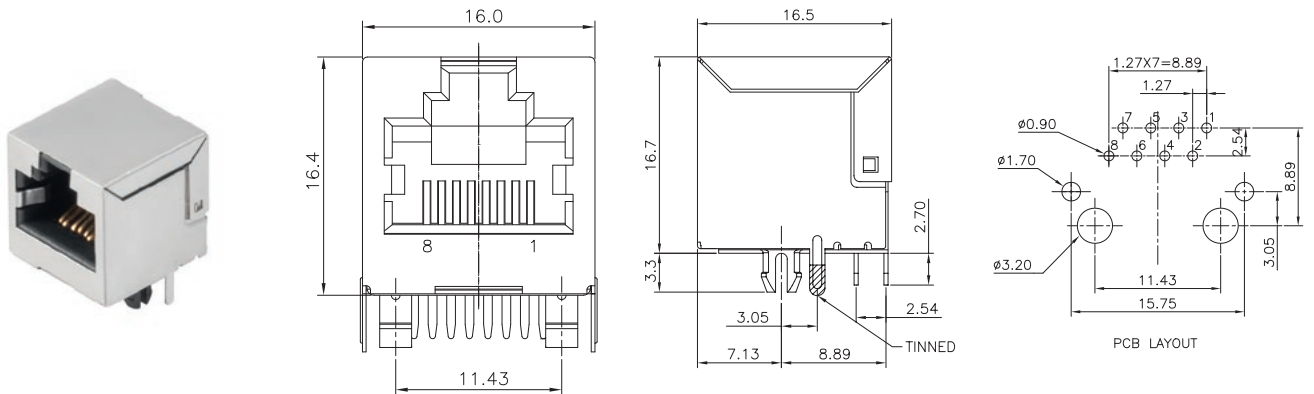
B

Technical data

Outgoing elbow	90°
Pitch	1.27 mm
Type of insulation material	PA 66
Colour	Black
UL 94 flammability rating	V-0
Shielding material	Copper alloy
Shield surface	nickel-plated
Contact base material	Phosphorus bronze

Layer structure of plug contact	30-80 µ" Ni / 30-µ" Au
Operating temperature	-40...85 °C
Rated voltage	125 V AC
Rated current	1.5 A
Dielectric strength, contact / contact	≥ 1000 V DC
Insulation resistance	1000 MΩ at 500 V DC
Plugging cycles	750
Approvals	CURUS
Pin dimensions = d	0.40 x 0.30 mm

Note

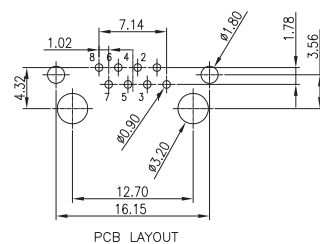
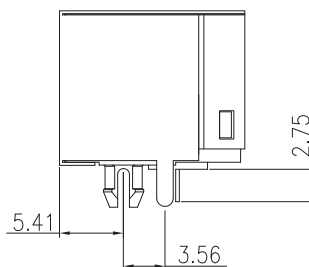
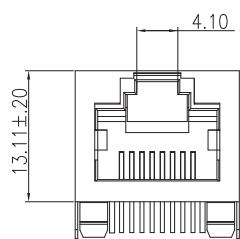


Ordering data

Type	Mounting onto the PCB	Latch option	Shield tabs	LED	Performance-Category	Packaging	Qty.	Order No.
RJ45C6 T1U 2.7N4N TY	THT solder connection	top	none	No	Cat. 6	Tray	160	1433910000

Other versions on request

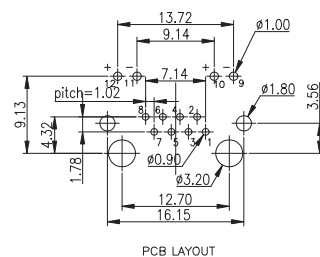
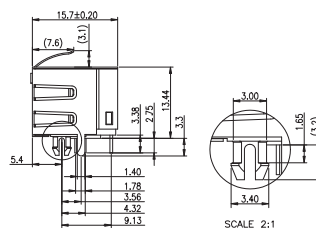
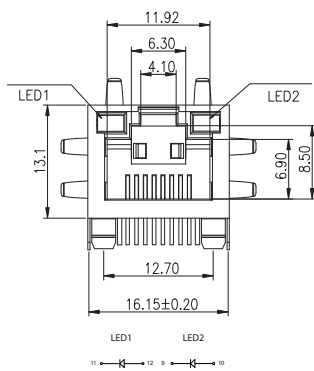




Ordering data

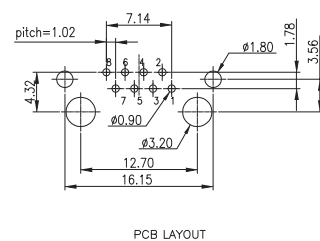
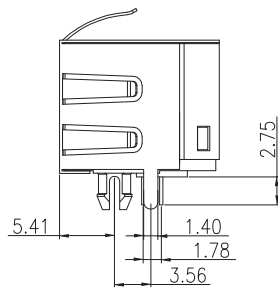
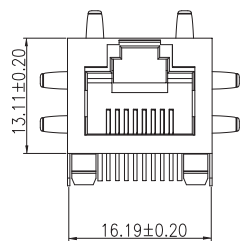
Type	Mounting onto the PCB	Latch option	Shield tabs	LED	Performance-Category	Packaging	Qty.	Order No.
RJ45C5 T1U 2.8N4N TY	THT solder connection	top	none	No	Cat. 5	Tray	140	1455240000

Other versions on request



Ordering data

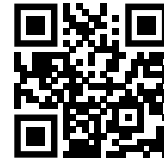
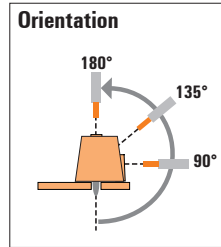
Type	Mounting onto the PCB	Latch option	Shield tabs	LED	Performance-Category	Packaging	Qty.	Order No.
RJ45C5 T1U 2.8E4G/Y TY	THT solder connection	top	6 tabs	Yes	Cat. 5	Tray (manual assembly)	140	2562880000



Ordering data

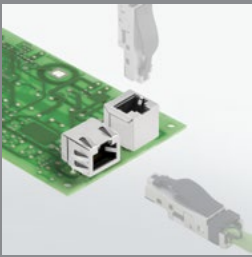
Type	Mounting onto the PCB	Latch option	Shield tabs	LED	Performance-Category	Packaging	Qty.	Order No.
RJ45C5 T1U 2.8E4N TY	THT solder connection	top	6 tabs	No	Cat. 5	Tray (manual assembly)	140	2562920000

<http://www.OMNIMATE.net>



RJ45 Transformer jacks

- With magnetics
- Shielded
- Contact surface 30µ" Au
- temperature range:
-40 °C to +85 °C



Mounting onto the PCB



SMT-soldering process



THR-soldering process



Wave soldering process

Reference picture	Outgoing elbow/ Latch option	Shield tabs	LED (left/right)	Performance category
	90° horizontal/latch down	No	No	10/100 Mbit/s
	180° vertical	No	YG/YG	1000 MBit/s
		No	YG/YG	10/100 Mbit/s
		No	Y/G	10/100 Mbit/s
	90° liegend/latch down	Yes	No	1000 MBit/s
		Yes	G/Y	1000 MBit/s
		Yes	No	10/100 Mbit/s
		Yes	G/Y	10/100 Mbit/s
		No	Y/G	10/100 Mbit/s
	90° horizontal/latch down Multiport	Yes	YG/YG	1000 MBit/s
		Yes	G/Y	1000 MBit/s
		No	YG/YG	1000 MBit/s
		No	G/Y	10/100 Mbit/s
	90° horizontal/latch down Multiport	Yes	No	10/100 Mbit/s
		Yes	G/Y	10/100 Mbit/s
	90° horizontal/latch down Multiport	Yes	G/Y	10/100 Mbit/s

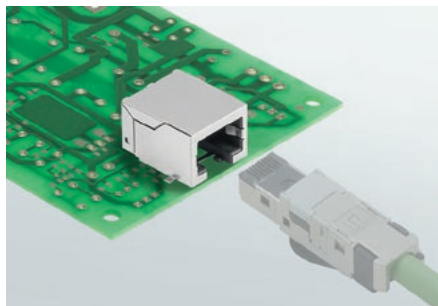
Packaging	Order No.	Type
Tape	2564450000	RJ45M S1D DE4N RL
Tape	2562160000	RJ45G R1V 1.9N4YG/YG RL
Tape	2562150000	RJ45M R1V 1.9N4YG/YG RL
Tray	2461070000	RJ45M R1V 3.3N4Y/G TY
Tape	2564440000	RJ45G1 R1D 3.2E4N RL
Tray	2544510000	RJ45G1 R1D 3.3E4G/Y TY
Tape	2564430000	RJ45M R1D 3.2E4N RL
Tape	2564410000	RJ45M R1D 3.3E4G/Y RL
Tray	2461060000	RJ45M R1D 3.3N4Y/G TY
Tape	2036510000	RJ45G1 R12D 3.3E4YG/YG RL
Tray	2544500000	RJ45G1 R12D 3.3E4G/Y TY
Tape	2485370000	RJ45G1 R12D 3.3N4YG/YG RL
Tape	2551900000	RJ45M R12D 3.2N4G/Y RL
Tray	2474160000	RJ45M T1D 3.2E4N TY
Tray	2563850000	RJ45M T1D 3.3E4G/Y TY
Tape	2036460000	RJ45M T12D 3.3E4G/Y RL

RJ45 G1 R1U 3.2E4 GY/GY TY RJ45G1 R1U 3.2E4GY/GY TY		
Packaging	TY RL	Tray in box (manual assembly) Tape on Reel (automated assembly)
LED	Y/G G/Y GY/GY O/G R/O ... N	Yellow/Green Green/Yellow (standard) Green-Yellow/Green-Yellow Orange/Green Red/Orange ... (further combinations possible) without LED
Contact surface thickness	4	1 = 3µm, 2 = 6µm, 3 = 15µm, 4 = 30µm, 5 = 50µm
EMI tabs (ground fingers)	E N	E = with EMI tabs N = without EMI tabs
Solder Pin length	3.2 1.6 D	3.2 mm 1.6 mm SMD
Direction, latch style	U D V Y	Horizontal (90°, side entry), latch up Horizontal (90°, side entry), latch down Vertical (180°, top entry) Diagonal (45°), latch up
Number of Ports	1 12; 14; ... 21; 41; ...	1 Port multi ports side by side, Multiport multi ports about each other, Multilevel
Assembly on PCB	R S T	Through Hole Reflow - THR Soldering process: Wave or Reflow soldering Surface Mount Technology - SMT Soldering process: Reflow soldering Through Hole Technology - THT Soldering process: Wave
Performance Category	C5 C6 C6A C5e M G1 G10 U MP MP+	Category 5 Category 6 Category 6A Category 5e 10/100 Mbit 10/100/1000 Mbit 10 Gbit Unshielded 10/100 Mbit with POE 10/100 Mbit with POE+

RJ45 transformer jacks for SMT soldering process

1x1 port, 90° (horizontal) latch down

For additional articles and information, refer to catalog.weidmueller.com



- With integrated magnetics
- 360° shielding
- Contact surface 30µm (0.76µm) Au
- ≥750 plugging cycles
- Extended temperature range: -40 °C to +85 °C
- For fully automatic assembly (tape-on-reel)
- Optimised package sizes
- Other variations on request

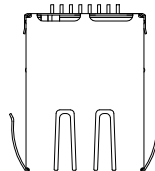
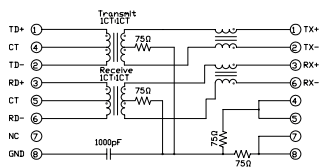
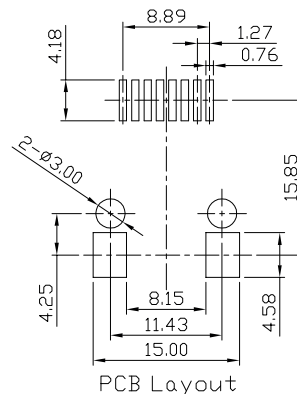
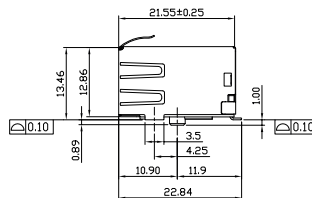
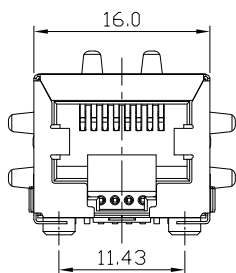
Characteristics

Inductance	350 µH min. at 100 kHz, 100 mV, 8 mA DC Bias
Leakage Inductance	0.3 µH max. at 100 kHz, 100 mV
Insertion Loss	1.1 dB max. at (1 - 100) MHz
Return Loss	18 dB min. at (1 - 30) MHz 16 dB min. at (30 - 60) MHz 12 dB min. at (60 - 80) MHz
Cross Talk	30 dB min. at (1 - 100) MHz
Common Mode Rejection	30 dB min. at (1 - 100) MHz

Technical data

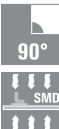
Outgoing elbow	90°
Pitch	1.27 mm
Type of insulation material	PA 9T
Colour	Black
UL 94 flammability rating	V-0
Moisture Level (MSL)	1
Shielding material	Brass
Shield surface	nickel-plated
Contact base material	Phosphorus bronze
Note	

Layer structure of plug contact	30-80 µm Ni / 30-µm Au
Operating temperature	-40...85 °C
Rated voltage	125 V AC
Rated current	1.5 A
Dielectric strength, contact / contact	1000 V DC
Insulation resistance	> 500 MΩ
Plugging cycles	750
Approvals	CURUS
Pin dimensions = d	



Ordering data

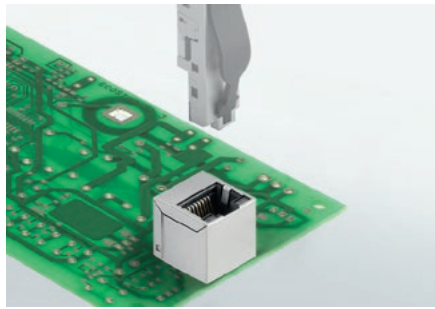
Type	Mounting onto the PCB	Latch option	Shield tabs	LED	Performance-Category	Packaging	Qty.	Order No.
RJ45M S1D DE4N RL	SMD solder connection		6 tabs	No	10/100 MBit/s	Tape	200	2564450000



RJ45 transformer jacks for THR soldering process

1x1 port, 180° (vertical)

For additional articles and information, refer to catalog.weidmuller.com



- With integrated magnetics
- 360° shielding
- Contact surface 30µm (0.76µm) Au
- ≥750 plugging cycles
- Extended temperature range: -40 °C to +85 °C
- For fully automated assembly (tape-on-reel) or manual assembly (tray)
- Optimised package sizes
- Other variations on request

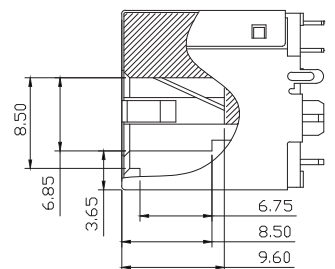
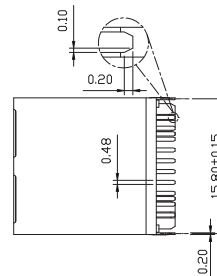
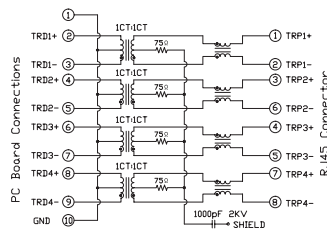
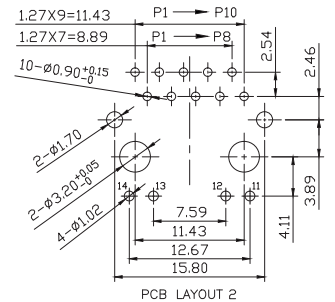
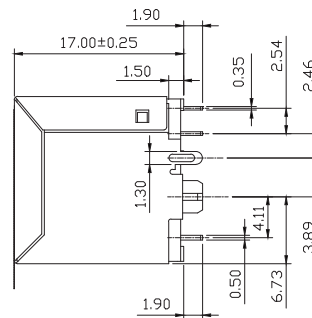
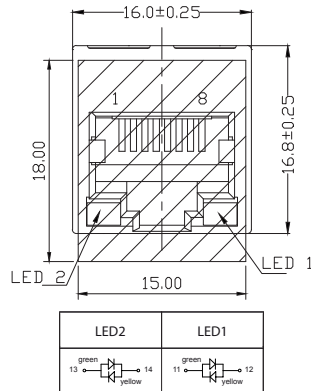
Characteristics

Inductance	350 µH min. at 100 kHz, 100 mV, 8 mA DC Bias
Leakage Inductance	0.3 µH max. at 100 kHz, 100 mV
Insertion Loss	1.1 dB max. at (1 - 100) MHz
Return Loss	18 dB min. at (1 - 30) MHz 16 dB min. at (30 - 60) MHz 12 dB min. at (60 - 80) MHz
Cross Talk	30 dB min. at (1 - 100) MHz
Common Mode Rejection	30 dB min. at (1 - 100) MHz

Technical data

Outgoing elbow	180°
Pitch	1.27 mm
Type of insulation material	PA 9T
Colour	Black
UL 94 flammability rating	V-0
Moisture Level (MSL)	1
Shielding material	Brass
Shield surface	nickel-plated
Contact base material	Phosphorus bronze
Note	

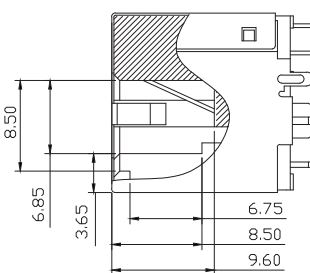
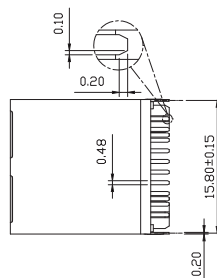
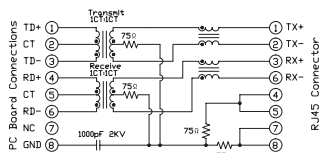
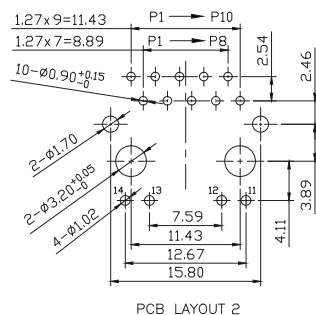
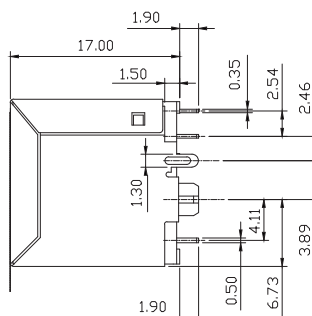
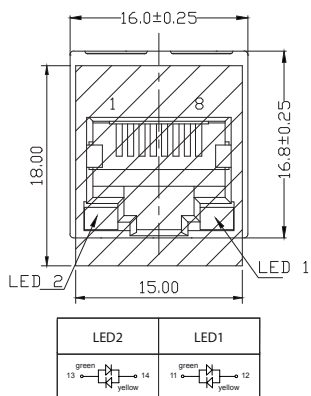
Layer structure of plug contact	30-80 µm Ni / 30-µm Au
Operating temperature	-40...85 °C
Rated voltage	125 V AC
Rated current	1.5 A
Dielectric strength, contact / contact	1000 V DC
Insulation resistance	> 500 MΩ
Plugging cycles	750
Approvals	CURUS
Pin dimensions = d	



Ordering data

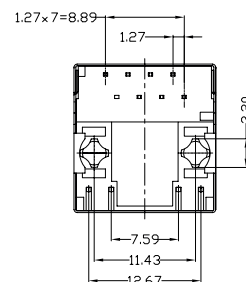
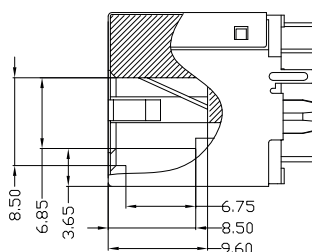
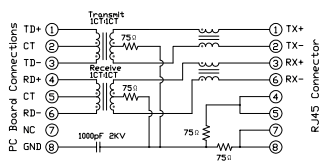
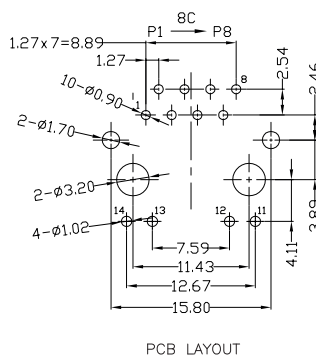
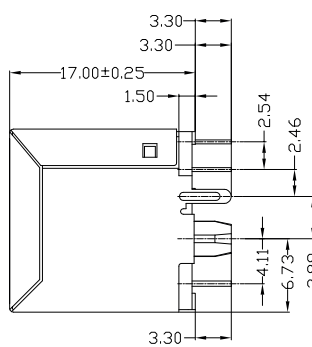
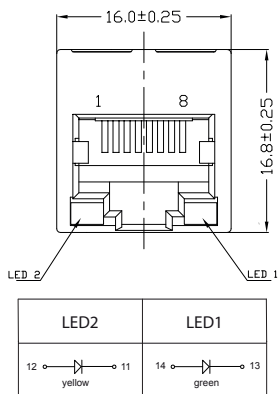
Type	Mounting onto the PCB	Latch option	Shield tabs	LED	Performance-Category	Packaging	Qty.	Order No.
RJ45G R1V 1.9N4YG/YG RL	THT/THR solder connection		none	Yes	1000 Mbps	Tape	200	2562160000





Ordering data

Type	Mounting onto the PCB	Latch option	Shield tabs	LED	Performance-Category	Packaging	Qty.	Order No.
RJ45M R1V 1.9N4YG/YG RL	THT/THR solder connection		none	Yes	10/100 MBit/s	Tape	200	2562150000



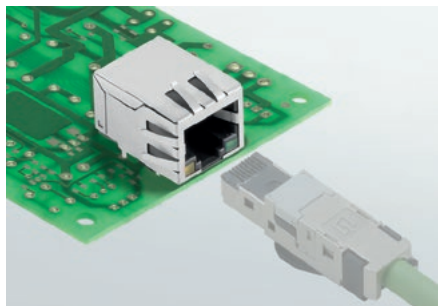
Ordering data

Type	Mounting onto the PCB	Latch option	Shield tabs	LED	Performance-Category	Packaging	Qty.	Order No.
RJ45M R1V 3.3N4Y/G TY	THT/THR solder connection		none	Yes	10/100 MBit/s	Tray (manual assembly)	120	2461070000

RJ45 transformer jacks for THR soldering process

1x1 port, 90° (horizontal) latch down

For additional articles and information, refer to catalog.weidmueller.com



- With integrated magnetics
- 360° shielding
- Contact surface 30µm (0.76µm) Au
- ≥750 plugging cycles
- Extended temperature range: -40 °C to +85 °C
- For fully automated assembly (tape-on-reel) or manual assembly (tray)
- Optimised package sizes
- Other variations on request

Characteristics

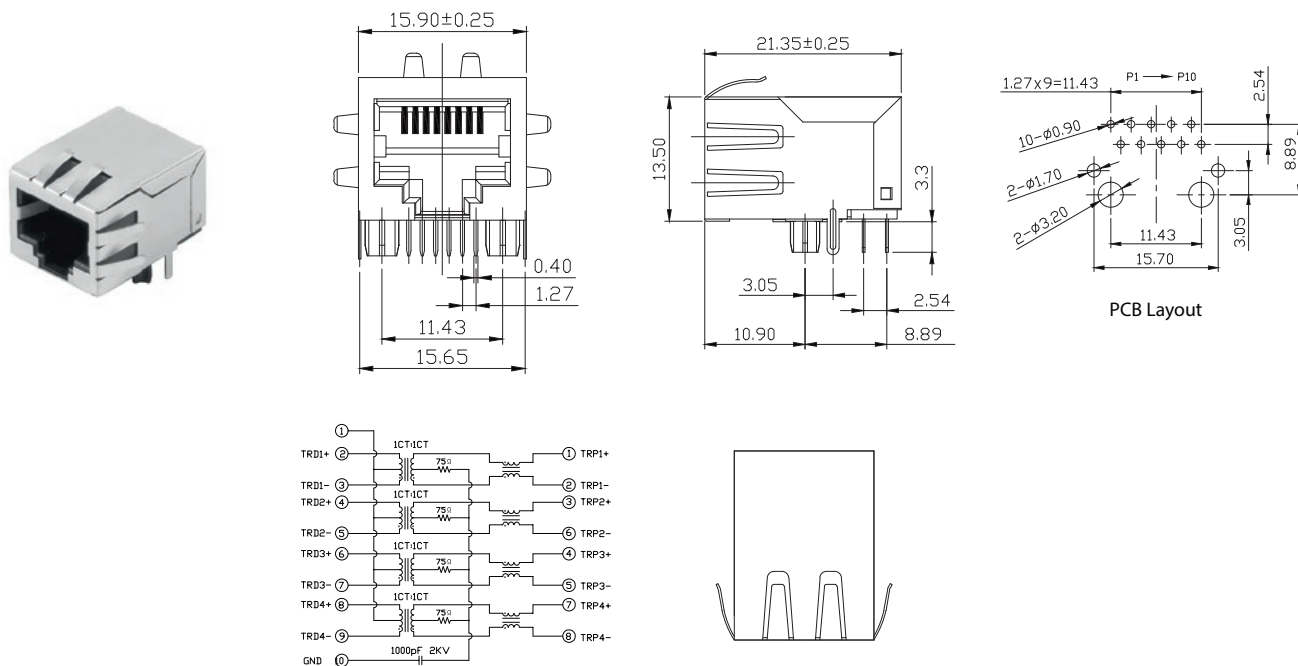
Inductance	350 µH min. at 100 kHz, 100 mV, 8 mA DC Bias
Leakage Inductance	0.3 µH max. at 100 kHz, 100 mV
Insertion Loss	1.1 dB max. at (1 - 100) MHz
Return Loss	18 dB min. at (1 - 30) MHz 16 dB min. at (30 - 60) MHz 12 dB min. at (60 - 80) MHz
Cross Talk	30 dB min. at (1 - 100) MHz
Common Mode Rejection	30 dB min. at (1 - 100) MHz

Technical data

Outgoing elbow	90°
Pitch	1.27 mm
Type of insulation material	PA 9T
Colour	Black
UL 94 flammability rating	V-0
Shielding material	Brass
Shield surface	nickel-plated
Contact base material	Phosphorus bronze

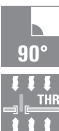
Layer structure of plug contact	30-80 µm Ni / 30-µm Au
Operating temperature	-40...85 °C
Rated voltage	125 V AC
Rated current	1.5 A
Dielectric strength, contact / contact	1000 V DC
Insulation resistance	> 500 MΩ
Plugging cycles	750
Approvals	
Pin dimensions = d	

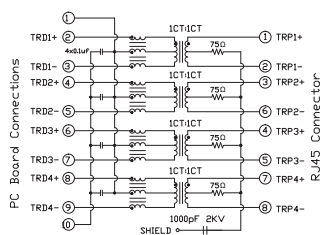
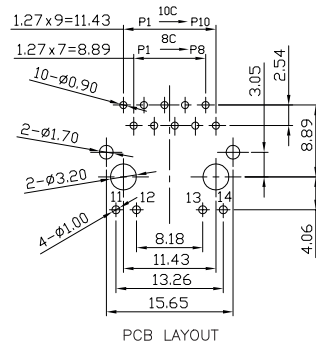
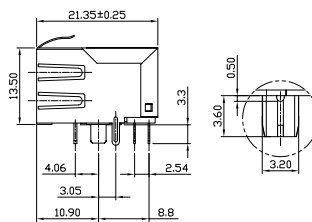
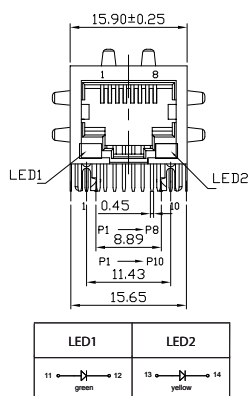
Note



Ordering data

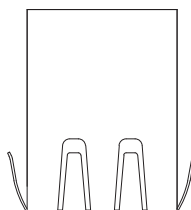
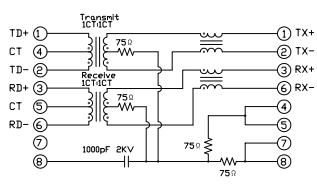
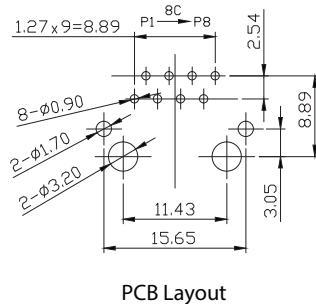
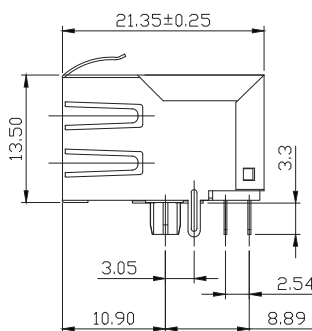
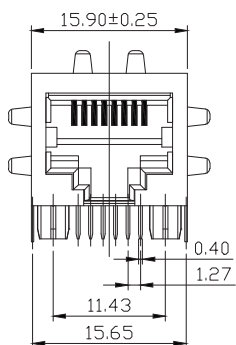
Type	Mounting onto the PCB	Latch option	Shield tabs	LED	Performance-Category	Packaging	Qty.	Order No.
RJ45G1 R1D 3.2E4N RL	THT/THR solder connection	bottom	6 tabs	No	1000 Mbps	Tape	200	2564440000





Ordering data

Type	Mounting onto the PCB	Latch option	Shield tabs	LED	Performance-Category	Packaging	Qty.	Order No.
RJ45G1 R1D 3.3E4G/Y TY	THT/THR solder connection	bottom	6 tabs	Yes	1000 Mbps	Tray (manual assembly)	120	2544510000



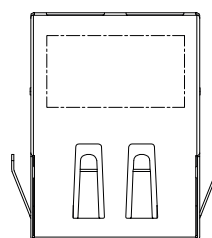
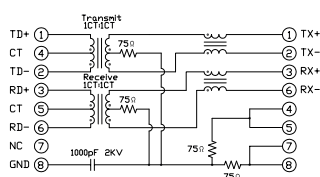
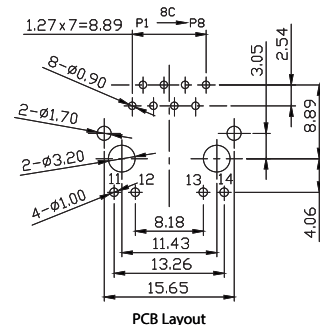
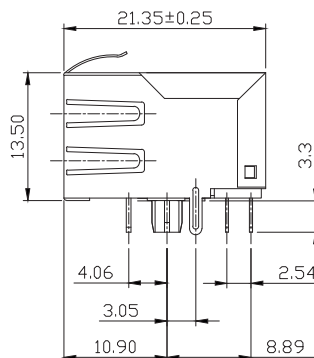
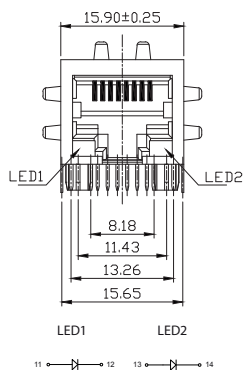
Ordering data

Type	Mounting onto the PCB	Latch option	Shield tabs	LED	Performance-Category	Packaging	Qty.	Order No.
RJ45M R1D 3.2E4N RL	THT/THR solder connection	bottom	6 tabs	No	10/100 MBit/s	Tape	200	2564430000

RJ45 transformer jacks for THR soldering process

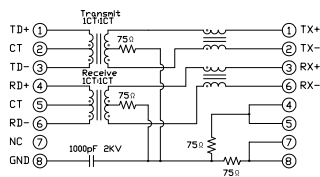
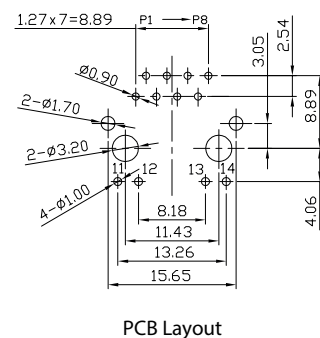
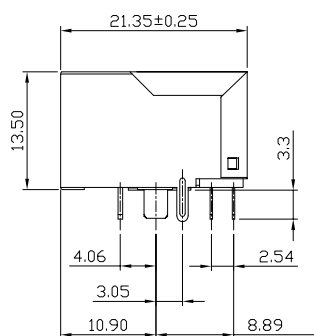
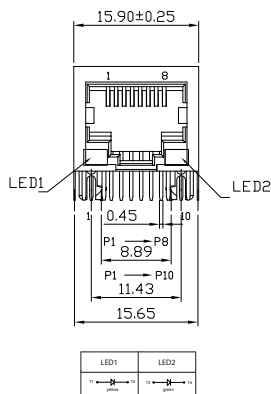
OMNIMATE® Data

B



Ordering data

Type	Mounting onto the PCB	Latch option	Shield tabs	LED	Performance-Category	Packaging	Qty.	Order No.
RJ45M R1D 3.3E4G/Y RL	THT/THR solder connection	bottom	6 tabs	Yes	10/100 MBit/s	Tape	120	25644 10000



90°

THR

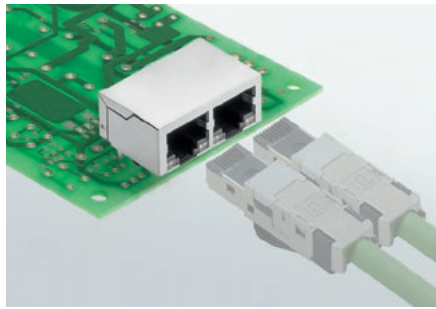
Ordering data

Type	Mounting onto the PCB	Latch option	Shield tabs	LED	Performance-Category	Packaging	Qty.	Order No.
RJ45M R1D 3.3N4Y/G TY	THT/THR solder connection	bottom	none	Yes	10/100 MBit/s	Tray (manual assembly)	120	2461060000

RJ45 transformer jacks for THR soldering process

1x2 multiport, 90° (horizontal) latch down

For additional articles and information, refer to catalog.weidmueller.com



- With integrated magnetics
- 360° shielding
- Contact surface 30µm (0.76µm) Au
- ≥750 plugging cycles
- Extended temperature range: -40 °C to +85 °C
- For fully automated assembly (tape-on-reel) or manual assembly (tray)
- Optimised package sizes
- Other variations on request

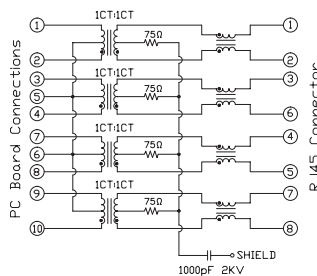
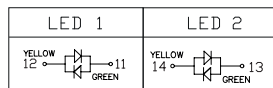
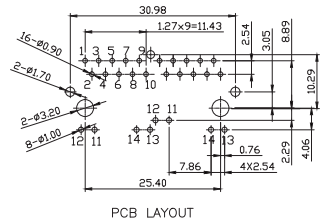
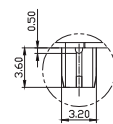
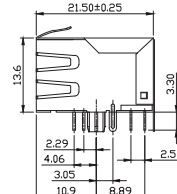
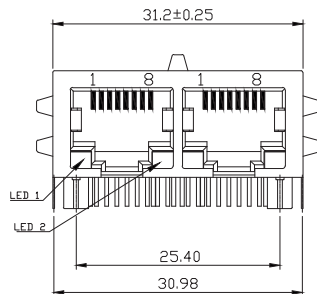
Characteristics

Inductance	350 µH min. at 100 kHz, 100 mV, 8 mA DC Bias
Leakage Inductance	0.3 µH max. at 100 kHz, 100 mV
Insertion Loss	1.1 dB max. at (1 - 100) MHz
Return Loss	18 dB min. at (1 - 30) MHz 16 dB min. at (30 - 60) MHz 12 dB min. at (60 - 80) MHz
Cross Talk	30 dB min. at (1 - 100) MHz
Common Mode Rejection	30 dB min. at (1 - 100) MHz

Technical data

Outgoing elbow	90°
Pitch	1.27 mm
Type of insulation material	PA 9T
Colour	Black
UL 94 flammability rating	V-0
Moisture Level (MSL)	1
Shielding material	Brass
Shield surface	nickel-plated
Contact base material	Phosphorus bronze
Note	

Layer structure of plug contact	30-80 µm Ni / 30-µm Au
Operating temperature	-40...85 °C
Rated voltage	125 V
Rated current	1.5 A
Dielectric strength, contact / contact	≥ 1000 V DC
Insulation resistance	> 500 MΩ
Plugging cycles	750
Approvals	CURUS
Pin dimensions = d	0.40 x 0.30 mm, LED pins = 0.50 x 0.50 mm

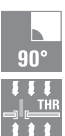


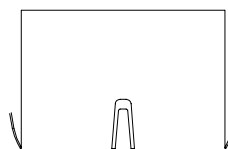
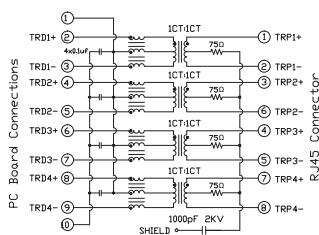
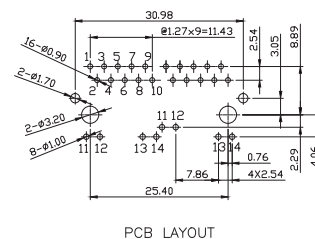
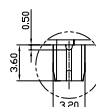
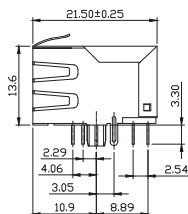
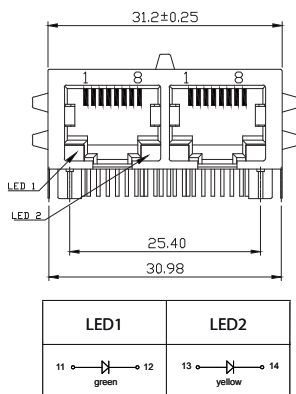
Ordering data

Type	Mounting onto the PCB	Latch option	Shield tabs	LED	Performance-Category	Packaging	Qty.	Order No.
RJ45G1 R12D 3.3E4YG/YG RL	THT/THR solder connection	bottom	6 tabs	Yes	1000 Mbps	Tape	200	2036510000

OMNIMATE® Data

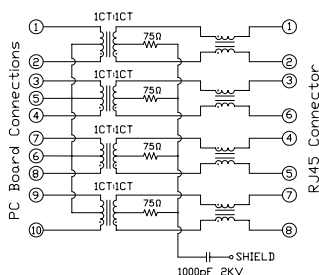
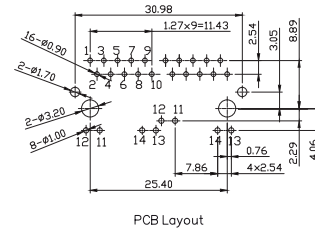
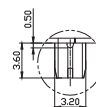
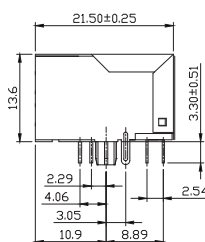
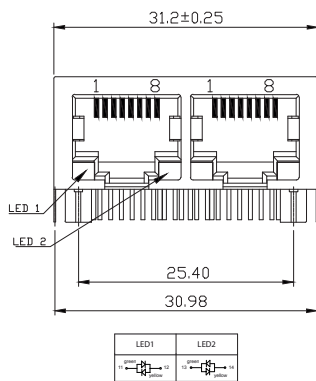
B





Ordering data

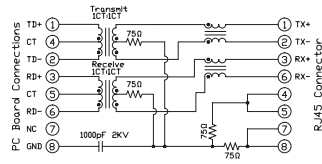
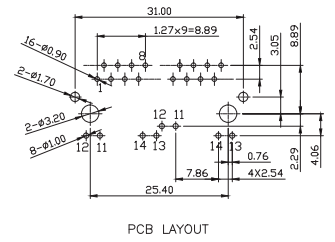
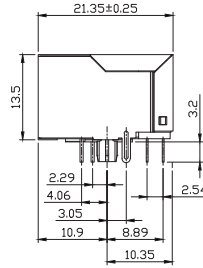
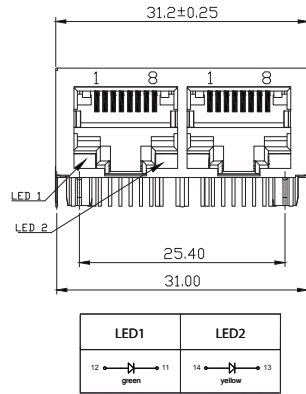
Type	Mounting onto the PCB	Latch option	Shield tabs	LED	Performance-Category	Packaging	Qty.	Order No.
RJ45G1 R12D 3.3E4G/Y TY	THT/THR solder connection	bottom	6 tabs	Yes	1000 Mbps	Tray (manual assembly)	80	2544500000



Ordering data

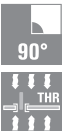
Type	Mounting onto the PCB	Latch option	Shield tabs	LED	Performance-Category	Packaging	Qty.	Order No.
RJ45G1 R12D 3.3N4YG/YG RL	THT/THR solder connection	bottom	none	Yes	1000 Mbps	Tape	200	2485370000

RJ45 transformer jacks for THR soldering process



Ordering data

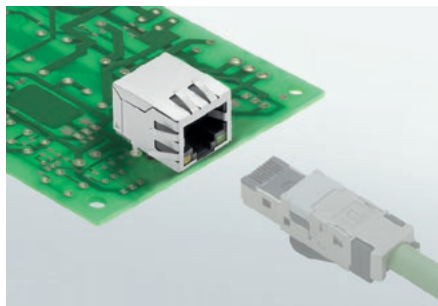
Type	Mounting onto the PCB	Latch option	Shield tabs	LED	Performance-Category	Packaging	Qty.	Order No.
RJ45M R12D 3.2N4G/Y RL	THT/THR solder connection	bottom	none	Yes	10/100 MBit/s	Tape	200	2551900000



RJ45 transformer jacks for wave soldering process

1x1 port, 90° (horizontal) latch down

For additional articles and information, refer to catalog.weidmueller.com



- With integrated magnetics
- 360° shielding
- Contact surface 30µm (0.76µm) Au
- ≥750 plugging cycles
- Extended temperature range: -40 °C to +85 °C
- For or manual assembly (tray)
- Optimised package sizes
- Other variations on request

Characteristics

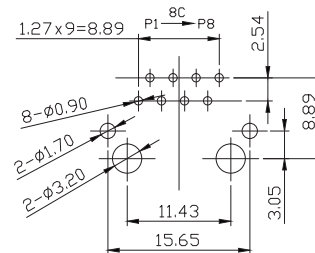
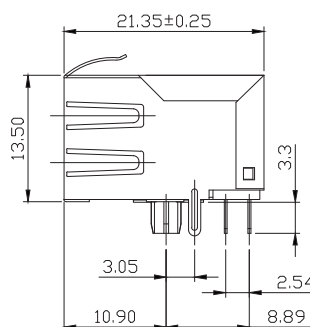
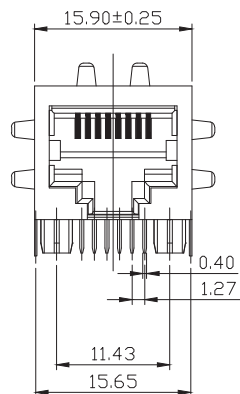
Inductance	350 µH min. at 100 kHz, 100 mV, 8 mA DC Bias
Leakage Inductance	0.3 µH max. at 100 kHz, 100 mV
Insertion Loss	1.1 dB max. at (1 - 100) MHz
Return Loss	18 dB min. at (1 - 30) MHz 16 dB min. at (30 - 60) MHz 12 dB min. at (60 - 80) MHz
Cross Talk	30 dB min. at (1 - 100) MHz
Common Mode Rejection	30 dB min. at (1 - 100) MHz

Technical data

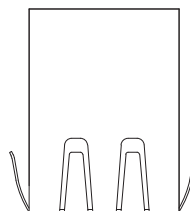
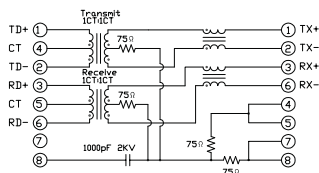
Outgoing elbow	90°
Pitch	1.27 mm
Type of insulation material	PA 66
Colour	Black
UL 94 flammability rating	V-0
Shielding material	Brass
Shield surface	nickel-plated
Contact base material	Phosphorus bronze

Layer structure of plug contact	30-80 µm Ni / 30-µm Au
Operating temperature	-40...85 °C
Rated voltage	125 V AC
Rated current	1.5 A
Dielectric strength, contact / contact	≥ 1000 V DC
Insulation resistance	> 500 MΩ
Plugging cycles	750
Approvals	CURUS
Pin dimensions = d	

Note

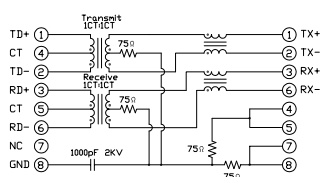
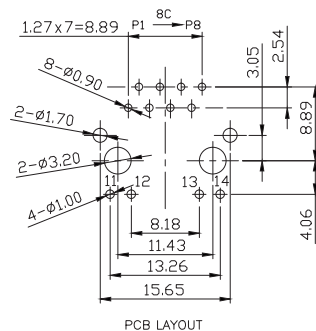
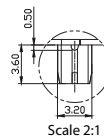
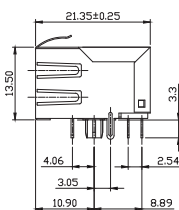
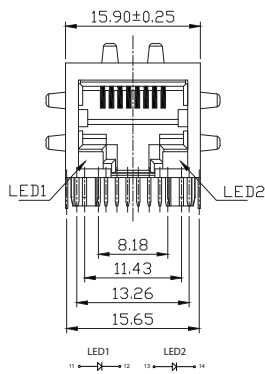


PCB Layout



Ordering data

Type	Mounting onto the PCB	Latch option	Shield tabs	LED	Performance-Category	Packaging	Qty.	Order No.
RJ45M T1D 3.2E4N TY	THT solder connection	bottom	6 tabs	No	10/100 MBit/s	Tray (manual assembly)	120	2474160000



Ordering data

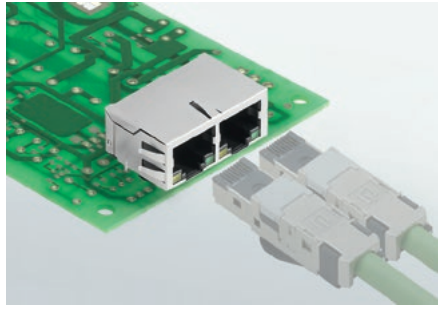
Type	Mounting onto the PCB	Latch option	Shield tabs	LED	Performance-Category	Packaging	Qty.	Order No.
RJ45M T1D 3.3E4G/Y TY	THT solder connection	bottom	6 tabs	Yes	10/100 MBit/s	Tray (manual assembly)	120	2563850000

RJ45 transformer jacks for wave soldering process

OMNIMATE® Data

B

1x2 multiport, 90° (horizontal) latch down



- With integrated magnetics
- 360° shielding
- Contact surface 30µm (0.76µm) Au
- ≥750 plugging cycles
- Extended temperature range: -40 °C to +85 °C
- For fully automatic assembly (tape-on-reel)
- Optimised package sizes
- Other variations on request

For additional articles and information, refer to catalog.weidmueller.com



Characteristics

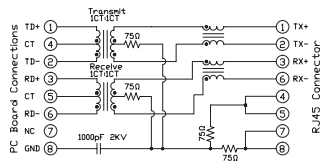
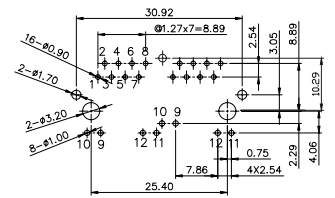
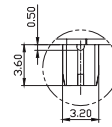
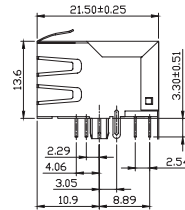
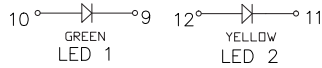
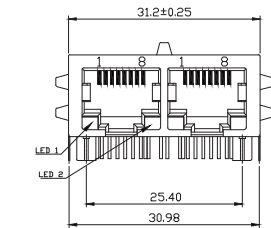
Inductance	350 µH min. at 100 kHz, 100 mV, 8 mA DC Bias
Leakage Inductance	0.3 µH max. at 100 kHz, 100 mV
Insertion Loss	1.1 dB max. at (1 - 100) MHz
Return Loss	18 dB min. at (1 - 30) MHz 16 dB min. at (30 - 60) MHz 12 dB min. at (60 - 80) MHz
Cross Talk	30 dB min. at (1 - 100) MHz
Common Mode Rejection	30 dB min. at (1 - 100) MHz

Technical data

Outgoing elbow	90°
Pitch	1.27 mm
Type of insulation material	PA 66
Colour	Black
UL 94 flammability rating	V-0
Shielding material	Brass
Shield surface	nickel-plated
Contact base material	Phosphorus bronze

Note

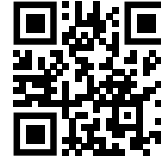
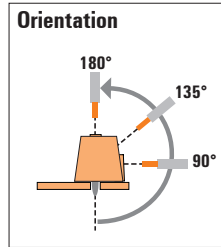
Layer structure of plug contact	30-80 µm Ni / 30-µm Au
Operating temperature	-40...85 °C
Rated voltage	125 V AC
Rated current	1.5 A
Dielectric strength, contact / contact	≥ 1000 V DC
Insulation resistance	> 500 MΩ
Plugging cycles	750
Approvals	CURUS
Pin dimensions = d	0.40 x 0.30 mm, LED pins = 0.50 x 0.50 mm



Ordering data

Type	Mounting onto the PCB	Latch option	Shield tabs	LED	Performance-Category	Packaging	Qty.	Order No.
RJ45M T12D 3.3E4G/Y RL	THT solder connection	bottom	6 tabs	Yes	10/100 MBit/s	Tape	200	2036460000

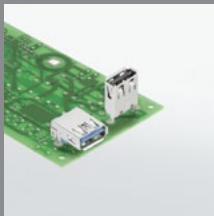
<http://www.OMNIMATE.net>



USB 3.0/2.0 jacks

Rated current up to 1,5 A

- Up to 1500 mating cycles
- Backwards compatible



Mounting onto the PCB



SMT-soldering process



THR-soldering process



Wave soldering process

Reference picture	Outgoing elbow	Performance category	Packaging	Order No.	Type
	180° vertical	480 Mbit/s	Tray	on request	USB2.0A S1V 1.4N4 TY BK
	90° horizontal	480 Mbit/s	Tray	2563720000	USB2.0A S1H 1.4N4 TY BK
	180° vertical	480 Mbit/s	Tray	2563730000	USB2.0A R1V 2.5N4 TY BK
	180° vertical	5 Gbit/s	Tray	1549730000	USB3.0A R1V 3.0N2 TY BL
	90° horizontal	480 Mbit/s	Tray	on request	USB2.0A R1H 2.5N4 TY BK
	180° vertical	480 Mbit/s	Tray	1985910000	USB2.0A T1V 2.5N4 TY BK
	90° horizontal	480 Mbit/s	Tray	2563710000	USB2.0A T1H 2.5N4 TY BK
	90° horizontal	5 Gbit/s	Tray	2563550000	USB3.0A T1H 2.3N4 TY BL

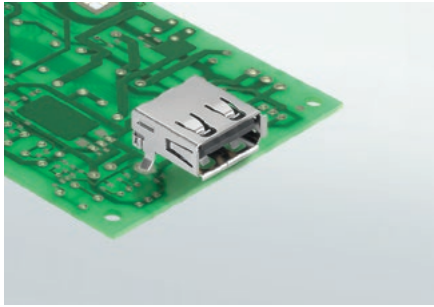
USB 3.0A R 1 V 3.0 N 4 TY BL USB3.0A R1V 3.0N4 TY BL

Colour / Special Option	BL	blue (plastic)
	BK	black (plastic)
	WH	white (plastic)
	SO	customized product
Packaging	TY	Tray in box (manual assembly)
	RL	Tape on Reel (automated assembly)
	TU	Tube
Contact surface thickness	4	1 = 3µ, 2 = 6µ, 3 = 15µ, 4 = 30µ, 5 = 50µ
	N	no use
Solder Pin length	3.2	3.2 mm
	1.6	1.6 mm
	D	SMD
Direction	H	Horizontal (90°, side entry)
	U	Horizontal, Upright 90°
	V	Vertical (180°, top entry)
Number of Ports	1	1 Port
	21; 41; ...	multi ports about each other, Multilevel
Assembly on PCB	R	Through Hole Reflow - THR Soldering process: Wave or Reflow soldering
	S	Surface Mount Technology - SMT Soldering process: Reflow soldering
	T	Through Hole Technology - THT Soldering process: Wave
Type / Performance	2.0A	USB 2.0 Type A
	3.0A	USB 3.0 Type A

**USB jacks
for SMT soldering process**

Type 2.0 A, 90° (lying)

For additional articles and information, refer to catalog.weidmueller.com

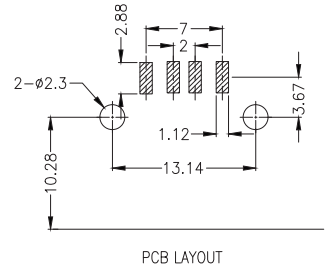
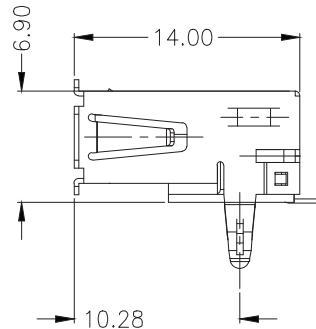
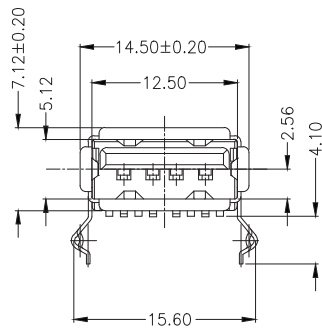


- Rated current up to 1.5 A
- Up to 1500 plugging cycles
- Downward compatible

Technical data

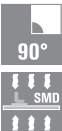
Outgoing elbow	90°
Pitch	2.00 mm
Type of insulation material	LCP
Colour	Black
UL 94 flammability rating	V-0
Moisture Level (MSL)	1
Shielding material	Brass
Shield surface	nickel-plated
Contact base material	Phosphorus bronze
Note	

Layer structure of plug contact	30-80 µ" Ni / 30-µ" Au
Operating temperature	-40...60 °C
Rated voltage	30 V
Rated current	1.5 A
Dielectric strength, contact / contact	750 V AC
Insulation resistance	≥ 1000 MΩ



Ordering data

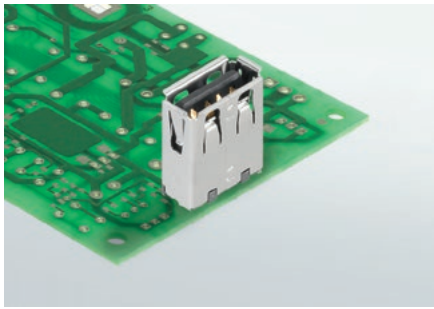
Type	Mounting onto the PCB	Plugging cycles	Performance-Category	Packaging	Qty.	Order No.
USB2.0A S1H 1.4N4 TY BK	THT/THR solder connection	≥ 1500	480 Mbps	Tray (manual assembly)	100	2563720000



USB jacks
for THR soldering process

Type 3.0/2.0 A, 180° (vertical)

For additional articles and information, refer to catalog.weidmuller.com

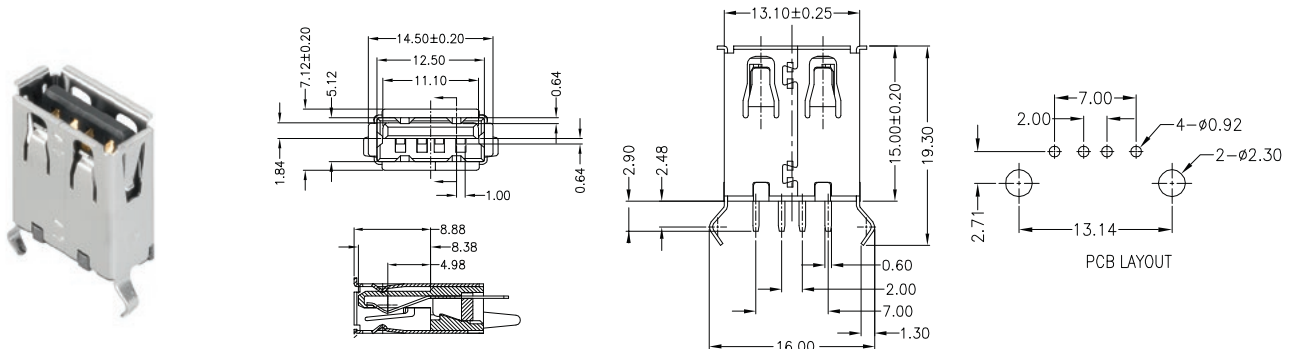


- Rated current up to 1.5 A
- Up to 1500 plugging cycles
- Downward compatible

Technical data

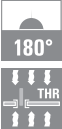
Outgoing elbow	180°
Pitch	2.00 mm
Type of insulation material	LCP
Colour	Black
UL 94 flammability rating	V-0
Moisture Level (MSL)	1
Shielding material	Brass
Shield surface	nickel-plated
Contact base material	Phosphorus bronze
Note	

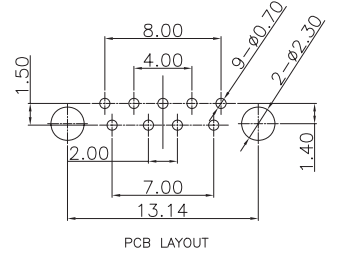
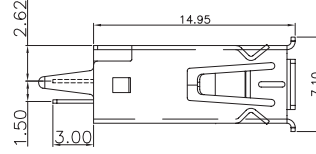
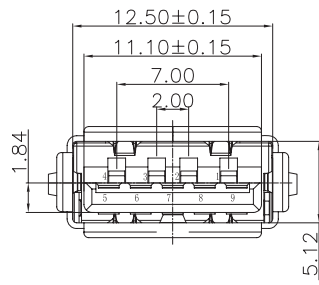
Layer structure of plug contact	30-80 µ" Ni / 30-µ" Au
Operating temperature	-20...60 °C
Rated voltage	30 V
Rated current	1.5 A at 250 V AC
Dielectric strength, contact / contact	500 V AC
Insulation resistance	≥ 1000 MΩ



Ordering data

Type	Mounting onto the PCB	Plugging cycles	Performance-Category	Packaging	Qty.	Order No.
USB2.0A R1V 2.5N4 TY BK	THT/THR solder connection	≥ 1500	480 Mbps	Tray (manual assembly)	100	2563730000





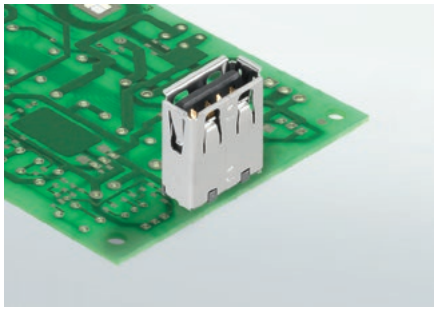
Ordering data

Type	Mounting onto the PCB	Plugging cycles	Performance-Category	Packaging	Qty.	Order No.
USB3.0A R1V 3.0N2 TY BL	THT/THR solder connection	≥ 1500	5 Gbps	Tray (manual assembly)	100	1549730000

USB jacks
for wave soldering process

Type 3.0/2.0 A, 180° (vertical)

For additional articles and information, refer to catalog.weidmueller.com



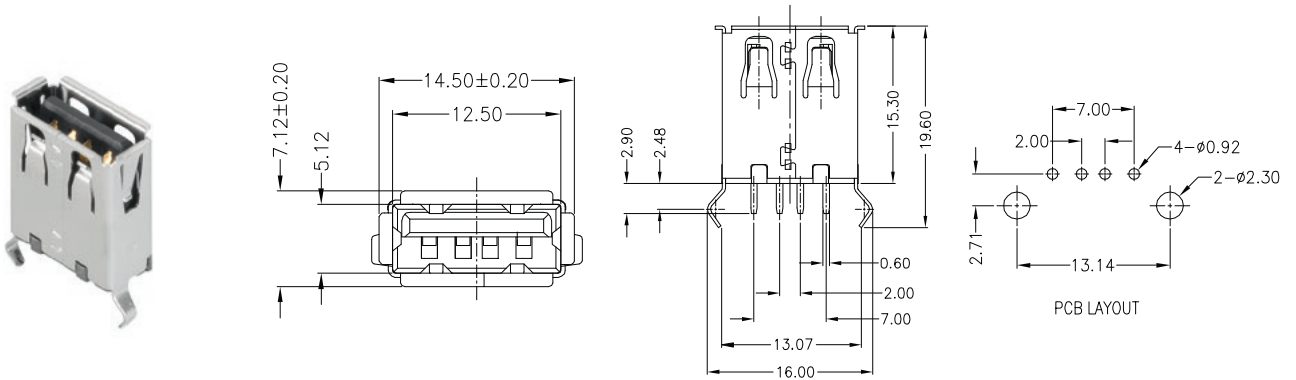
- Rated current up to 1.5 A
- Up to 1500 plugging cycles
- Downward compatible

Technical data

Outgoing elbow	180°
Pitch	2.00 mm
Type of insulation material	PBT
Colour	Black
UL 94 flammability rating	V-0
Shielding material	Brass
Shield surface	nickel-plated
Contact base material	Phosphorus bronze

Layer structure of plug contact	30-80 µ" Ni / 30-µ" Au
Operating temperature	-40...60 °C
Rated voltage	30 V
Rated current	1.5 A at 250 V AC
Dielectric strength, contact / contact	500 V AC
Insulation resistance	≥ 1000 MΩ

Note



Ordering data

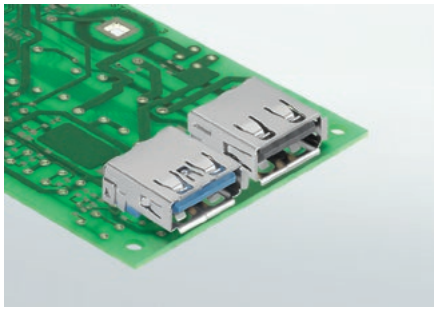
Type	Mounting onto the PCB	Plugging cycles	Performance-Category	Packaging	Qty.	Order No.
USB2.0A T1V 2.5N4 TY BK	THT solder connection	≥ 1500	480 Mbps	Tray (manual assembly)	100	1985910000



**USB jacks
for wave soldering process**

Type 3.0/2.0 A, 180° (vertical)

For additional articles and information, refer to catalog.weidmueller.com



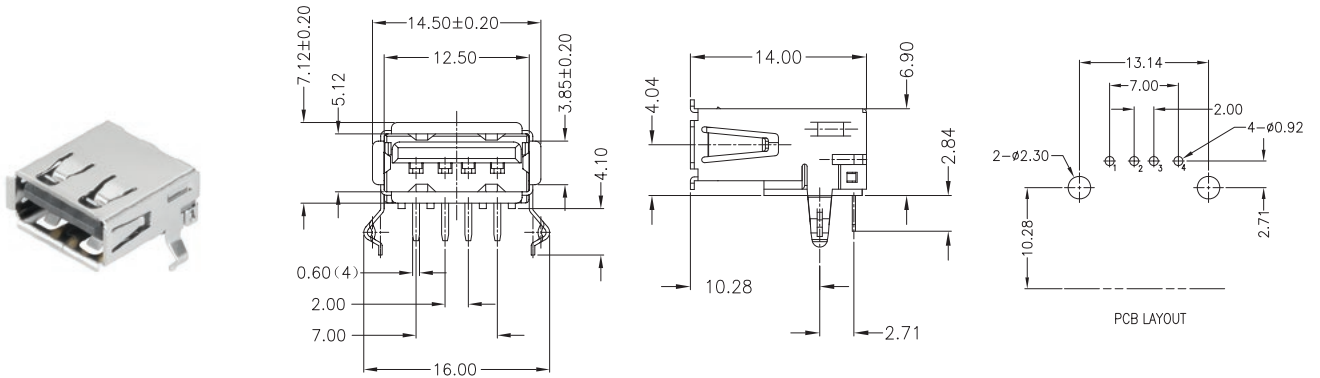
- Rated current up to 1.5 A
- Up to 1500 plugging cycles
- Downward compatible

Technical data

Outgoing elbow	90°
Pitch	2.00 mm
Type of insulation material	PBT
Colour	Black
UL 94 flammability rating	V-0
Shielding material	Brass
Shield surface	nickel-plated
Contact base material	Phosphorus bronze

Layer structure of plug contact	30-80 µ" Ni / 30-µ" Au
Operating temperature	-20...60 °C
Rated voltage	30 V
Rated current	1.5 A at 250 V AC
Dielectric strength, contact / contact	500 V AC
Insulation resistance	≥ 1000 MΩ

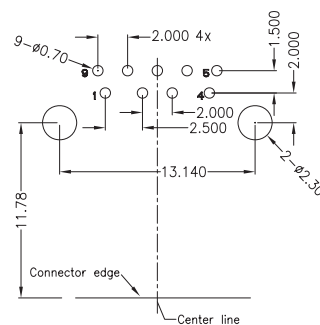
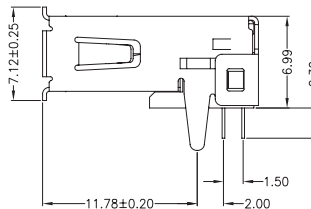
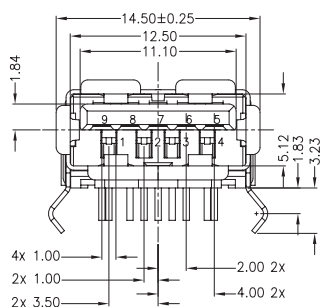
Note



Ordering data

Type	Mounting onto the PCB	Plugging cycles	Performance-Category	Packaging	Qty.	Order No.
USB2.0A T1H 2.5N4 TY BK	THT solder connection	≥ 1500	480 Mbps	Tray (manual assembly)	100	2563710000





Ordering data

Type	Mounting onto the PCB	Plugging cycles	Performance-Category	Packaging	Qty.	Order No.
USB3.0A T1H 2.3N4 TY BL	THT solder connection	≥ 1500	5 Gbps	Tray (manual assembly)	104	2563550000