

OMNIMATE® Housings

Housings for electronics

OMNIMATE® Housings Housings for electronics	OMNIMATE® Housings	Explanation	N.2
		Orientation guide	N.4
<hr/>			
	CH20M component housing series	Explanation	N.6
		Orientation guide	N.14
		Product selection	N.16
<hr/>			
	MICROBOX / TERMINALBOX terminal component housing series	Explanation	N.38
		Product selection	N.40
<hr/>			
	RS profile housing series	Explanation	N.42
		Orientation guide	N.44
		Product selection	N.46
<hr/>			
	Accessories	Mounting foot	N.52
		Identification systems	N.52
		Screwdrivers	N.53

OMNIMATE® Housings

Housings for electronics

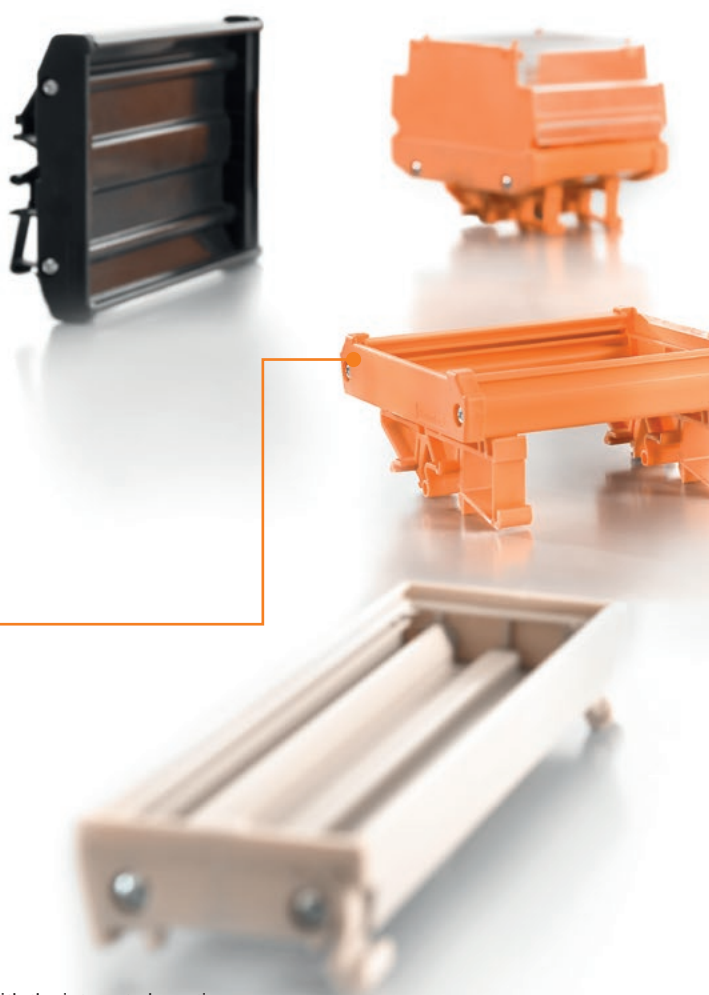
The perfect platform for form and function – including terminal layouts, bulk products and “tailor-made suits straight off the rack”.

Weidmüller’s electronics provide a state-of-the-art platform for electronics applications: for all design types and usage areas. The application and its requirements are the foundation for the housing design:

Component housings using the standard pitch sizes are particularly well suited for standardised electrical cabinet applications.

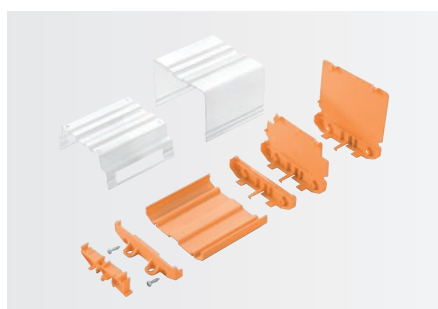
Because of their excellent flexibility and variability, profile housings are the perfect solution for custom constructions and small-batch series.

The perfect blend of design, connection technology and functionality result in a design that is well tailored to market and application requirements.



Flexibility

Profile housing – the perfect solution for custom constructions and smallbatch series.



Innovation

Attention to detail: with the integrated, captive “AutoSet” coding function.



Reliability

Weidmüller's legendary quality and well established, proven connection technology guarantee maximum availability for your systems.



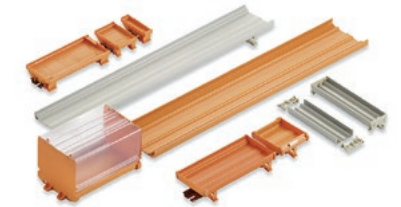
Component housing for mounting on rail

Component housing: function, form and processing all contribute to a single cohesive unit that offers safety, manufacturing efficiency and usability.



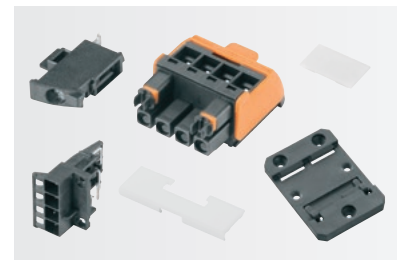
Assembly housing in profile shape

Assembly housing in profile shape - the flexible modular system of coloured and transparent plastic profiles and support modules provides the optimum balance between flexibility and efficiency.



Accessories

Comprehensive range of system accessories for integrating your assembled electronics "package" into the system environment - from attachment and connection to marking systems.



Efficiency

Reduce costs and increase productivity: SMT/SMD connectors packed suitably for fully automated production.



Electronics housings

With 6 housing systems, Weidmüller's electronics housing portfolio offers a platform for electronic applications in any design and for all application areas.

Detailed design information and the most important product-related data is available on the respective product pages. Data sheets and CAD models are available online for download.




CH20M – Modular component housing



System description (key points)
Scalability
Widths
Design
Production
Application
Connection system
Number of conductors that can be connected
Number of connection levels on each side
Design options
Housing design
PCB layout
Labelling & marking
Standard housing colours (Other colours on request)
Additional features
optional (excerpt)
standard (excerpt)

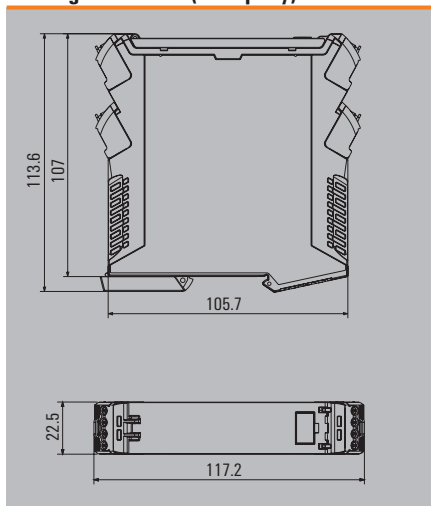
Component housing system IP 20
<ul style="list-style-type: none"> • 7 housing widths from 6 to 67.5 mm: • 6,1 / 12,5 / 17,5 / 22,5 / 35¹⁾ / 45 / 67,5 • Individually configurable • 100% reflow soldering compatible (automated) • Networked with mounting rail bus
Connectors (touch-safe both sides)
<ul style="list-style-type: none"> • 4 - 72 • 1 - 3
Individually configurable
<ul style="list-style-type: none"> • Asymmetrical port configuration • Individual processing / modification • Large net layout space of up to 9000 mm² • Up to 3 flexibly positioned PCBs • Both sides can be fitted with components (underside: + 5mm) • Pad & laser printing • Device markers for female connector • Device markers for hinged cover
Optional or standard
<ul style="list-style-type: none"> • Integrated mounting rail bus • FE mounting rail contact • Connection areas: lockable slots • Integrated, captive 16-fold "AutoSet" coding • Integrated ejector and plus / minus screws • "Wire ready" and "wire guard" (protection against mis-inserting) • Transparent hinged cover, sealable

Legend of symbols

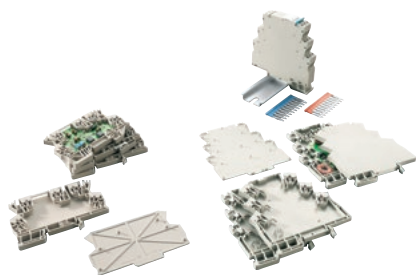
-  Clamping yoke screw connections
-  PUSH IN spring connection
-  Tension clamp connection

Note: 1) On request

Housing dimensions (exemplary)



MICROBOX – Small housing
TERMINALBOX – Terminal housing



Small housing IP 20

- MICROBOX: 6.1 mm
- TERMINALBOX: 6.0 mm
- Miniature plate housing
- Compact enclosure in terminal format
- E.g. for I/O-plate applications

Connection terminals

- 4 - 6
- 2 - 3



2 versions

- MICROBOX: closed
- TERMINALBOX: optionally with cover plate

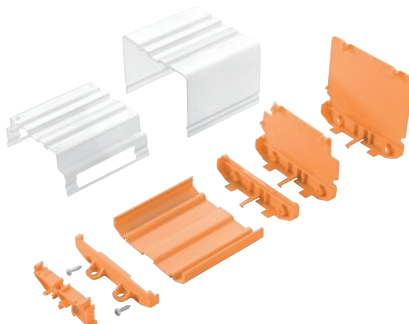
- Pad-print printing



Optional

- Cross-connector 32 A

RS 45-122 – Profile housing variable



Variable extruded profile case IP 20

- Standard length 2 m, optionally cut to size
- Circuit boards 45 to 122 mm
- Precisely cut lengths
- Modules protected with a clear cover

Female connectors or terminals

- As needed
- 1 - 3



Combinable and a perfect fit

- See-through covers in 2 sizes
- End plates in 3 sizes
- Standard circuit cards (EURO format)
- Up to 2 PCBs stackable
- Double-sided installation
- Pad-print printing
- Standard connector markings
- Marking strips for the cover hood



Optional

- Direct mounting

RS 70 – Profile housing modular



Modular profile case IP 00

- Individual elements, stackable modular
- Elements of 5 / 10 / 15 / 25 / 30 / 45 mm
- For 68 mm circuit boards
- Tool-free installation
- Sub-assembly accessible when opened

Female connectors or terminals

- As needed
- 1 - 3



tool-free installation

- 4 snap-on feet
- 5 different intermediate elements
- Standard circuit boards
- Double-sided installation

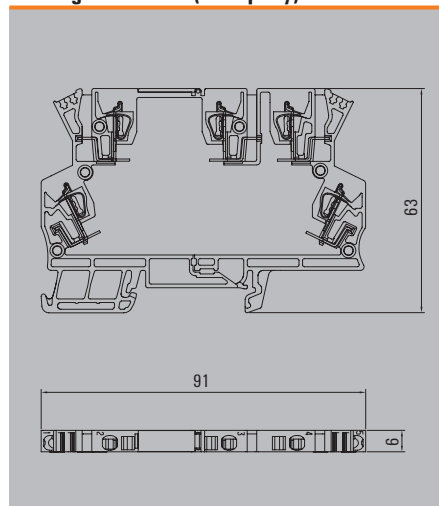
- Pad-print printing
- Standard connector markings



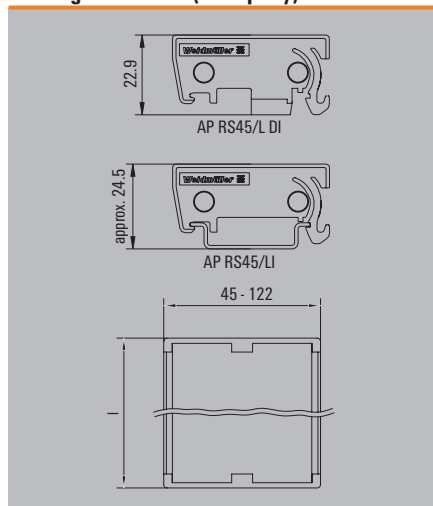
Optional

- Direct mounting

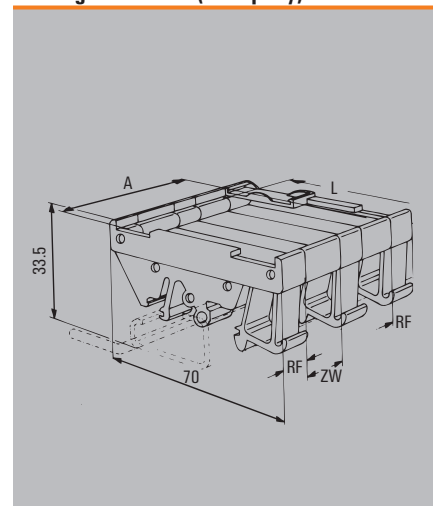
Housing dimensions (exemplary)



Housing dimensions (exemplary)



Housing dimensions (exemplary)



Individual design by combining form, function and appearance

CH20M (Component Housing IP 20 Modular) – Weidmüller’s new housing standard – represents the ideal platform for basing customised electronic applications.

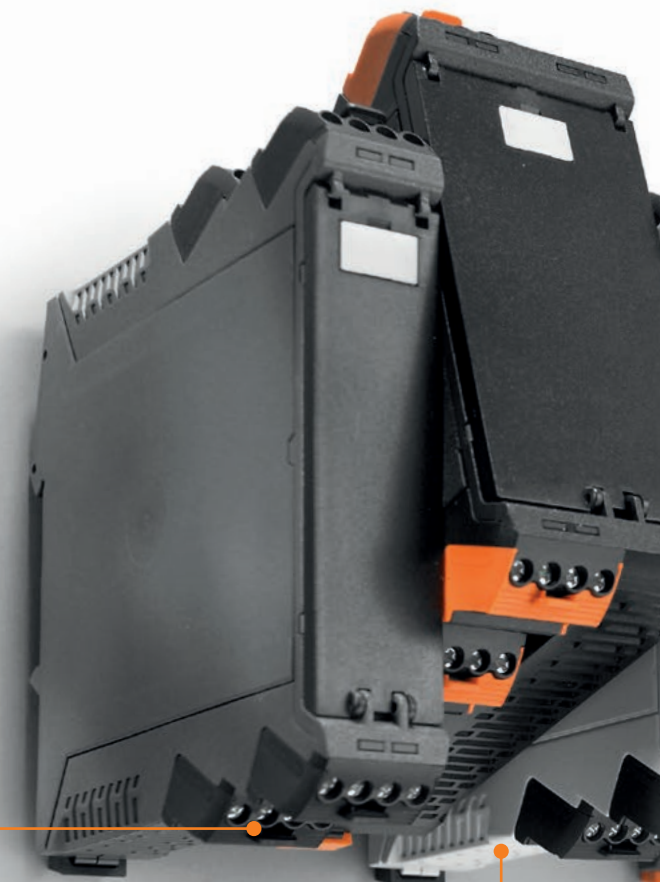
Like a “tailor-made suit straight off the rack”, the ground breaking module concept combines freedom in design with the low cost and planning security of a standard system.

In addition to scalability, a high level of safety and innovative functionality in the application, the system also convinces with superior attention to detail.

The results are quicker installation, user-friendly operation, high operational reliability and resistance to interference. From development to production, the CH20M represents efficiency. It covers all of the requirements for a modern electronics platform built with the future in mind.

Designed configuration

As many connections as you require and as affordable as you need: scalable connection levels, up to 72 wire connections, individually configurable for each side with 1, 2 or 3 connection levels across all housing widths.



Designed basic colours

With a focus on the important elements: the unobtrusive housing colours (black graphite, grey graphite and light grey) make a competent impression without distracting from the key operational and display elements.



Designed printing

Detailed symbols, data, graphics or text can be printed (with either laser or pad printing) on the large surface available on the housing element.



Designed optical appearance

The standard variants, with their modularity and variety, enable you to customise a wide range of designs to fit your application.



Designed functionality

Our comprehensive, standardised configuration variants can be further supplemented with modification and design changes to fit your custom needs.



Designed functional colours

More operational confidence with functionally appropriate colour coding: three functional colours (red, yellow and blue coding) can be assigned to key industrial applications.



Designed modifications

Modifying after the configuration: for example by integrating the pluggable 30-pole BL-I/O LED digital I/O connection level in the front or with the RJ45 socket on the side.



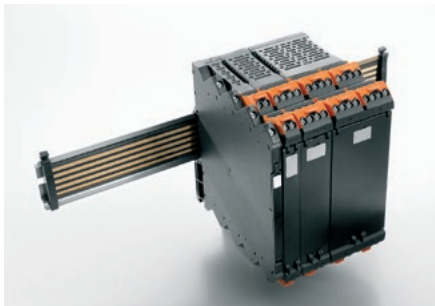
Power, signals and data are provided, connected and distributed securely and consistently

This customer-friendly bus solution brings power, signals and data to the rail in a quick and reliable manner. When supplying, connecting or distributing within modular applications, the rail bus can replace the tedious individual wiring process with a flexible and uninterrupted system solution. As a result, the wiring overhead and the error rate are both reduced. Redundant functions within complex applications can be efficiently centralised or intelligently distributed.

The system bus is securely integrated within the 35 mm standard mounting rail. The SMD-bus contact block can be reflow-soldered so that it can be completely automatically processed during the component assembly. The resistant, gold-plated contact surfaces ensure a permanent and reliable contact for all housing widths.

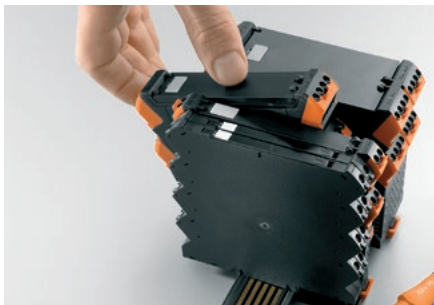
Scalability with no limits

Unique: The integrated connection solution covers all system widths: from the 6 mm slice to the 67 mm large-area housing.



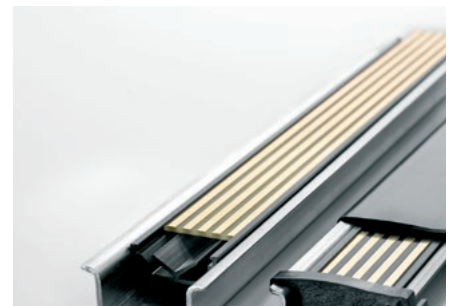
Easy to service during installation:

Quick: It's easy to replace a module, even in existing modules groups - without any influence on the neighbouring modules.



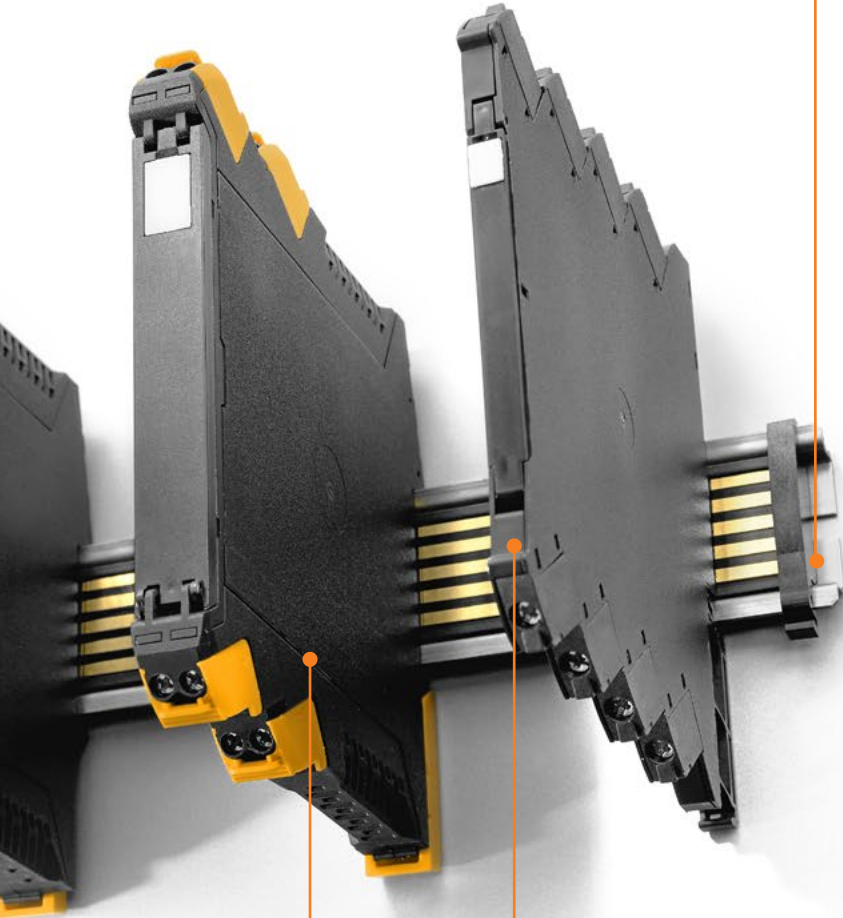
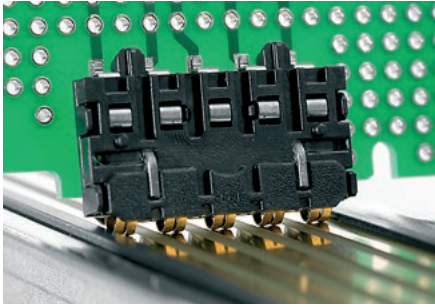
Unlimited configuration

Compatible: The individual modules can be positioned anywhere on any TS 35 standard top-hat rail. Unused areas are safely covered.



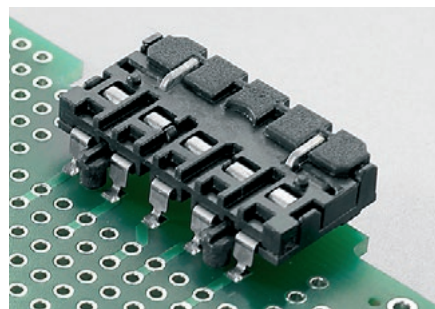
Maximum availability:

Reliable: Five fully-galvanised and partially gold-plated twin-arched contacts are used to establish a permanent contact to the rail bus. THR solder flanges ensure that the connection to the circuit board is stable.



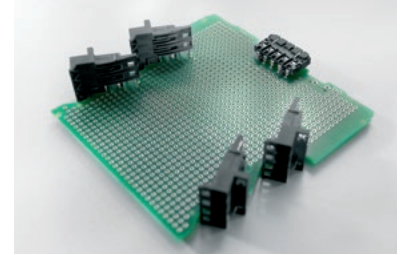
State-of-the-art processing

Efficient: The SMD-compatible bus contact block is made from high-temperature-resistant LCP. It is designed for the SMT reflow process and is delivered in machine-ready packaging.



Affordable assembly

Fully automatic: No manual post processing is required for the bus contact block – it is processed with the assembly group in a single SMT assembly process.



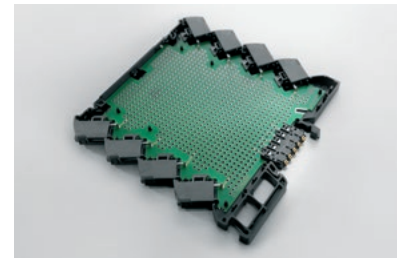
Safe installation

Low loss: You can safely avoid undesired bus interruptions and high contact resistances. Maximum facility availability ensured by the gold-plated contact surfaces on the system bus and contact block, as well as the consistent system design.



More flexibility in design

From design through production to application - CH20M6 sets the market standard with maximal board space with minimal exterior dimensions as well as allowing fully automatic reflow processing or bus connections.



OMNIMATE® Housing – CH20M-67

The new housing offers new assembly dimensions in the 67.5 mm equipment class.

The CH20M-67 sets new standards on the market as a large-scale housing in terms of flexibility for integrating intricate electronic subassemblies. You can distribute the electronic functions over as many as three printed-circuit boards. The front surface of the housings also has a unique size that can be used for freely laying out the operator interface.

Like all housings of the CH20M family from Weidmüller, the CH20M-67 also supports the connection to the mounting rail bus. The system bus is reliably integrated into the 35-mm standard mounting rail and replaces painstaking and error-prone individual wiring.

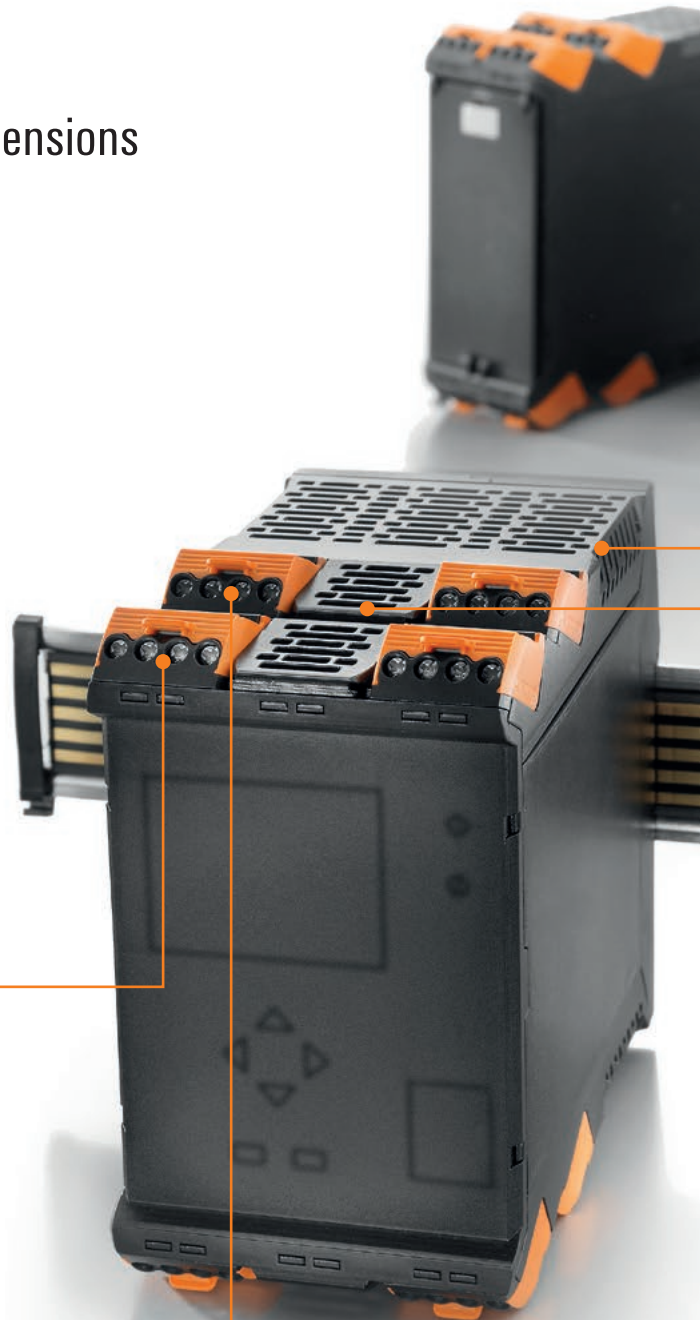
More reliability when connecting the conductors

Series equipment: The built-in conductor wire guard underinsertion protection prevents the hazardous underinsertion of the conductor and protects it from concealed contact faults. Being wire ready ensures that all connecting points are completely open at delivery.



More speed at installation

Series equipment: Screwed connections with wiring, supported by plus-minus screws, with power tools just right for automatic equipment.

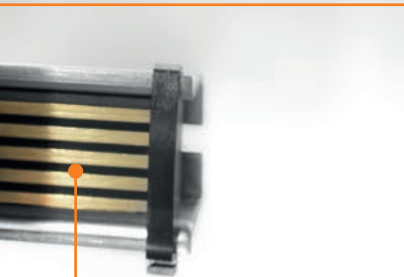


More layout area

The side ventilation openings are standard equipment in the semi-cooling design and provide sufficient convection for demanding electronics with the maximised layout area on the printed-circuit board.

**More flexibility for interfaces**

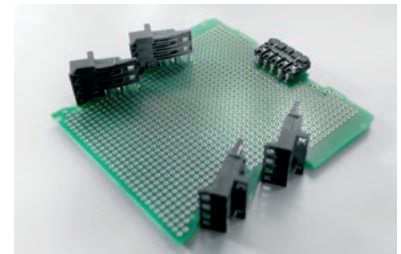
Unused plug-in stations or connections that are only accessible from the factory side can be reliably and permanently sealed with the optional AD-SHL-SMT cover.

**More stability on the mounting rail**

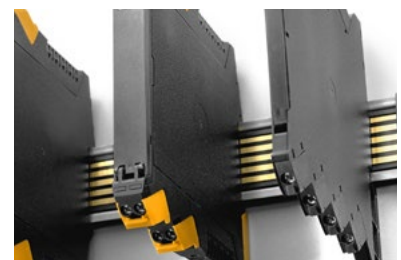
The built-in click-in base is premounted at the factory which guarantees easy, reliable and vibration-free fastening on the DIN mounting rail. A guide with four points of support provides a solid base.

**More design freedom**

There is room for one to three printed-circuit boards placed on both sides CH20M-67. There is maximum design flexibility since each printed-circuit board can take four freely selectable positions in the housing.

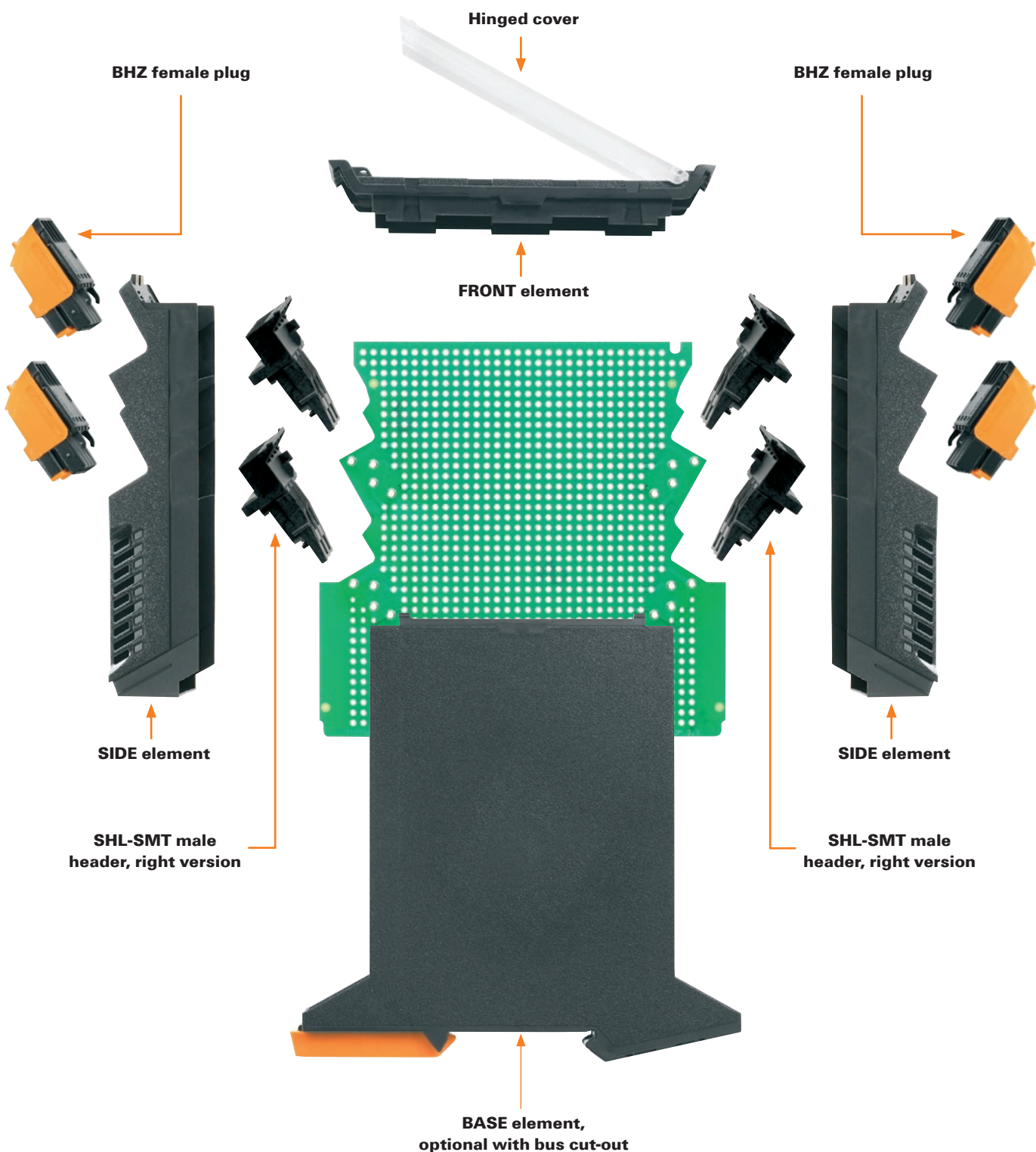
**More mounting space**

The printed-circuit boards can be positioned at a distance of 2.3 mm (and also 5 mm to the housing wall). This gives you the free choice of single- or double-sided assembly.



OMNIMATE® Housing – System CH20M

System overview



N



Hinged cover, transparent
CH20M22 C TP
on FRONT element, black
CH20M22 F BK



Hinged cover, black
CH20M22 C BK



FRONT element, black
CH20M22 F BK



FRONT element, black:
for use without hinged cover
CH20M22 FC BK

Connection area (SIDE) with 1 – 3 levels



Black SIDE element
3-row,
12 connections
**CH20M22 S
PPP BK**



Black SIDE element
3-row,
8 connections
+ RJ45
**CH20M22 S
RPP BK**



Black SIDE element
2-row,
8 connections
**CH20M22 S
PPSC BK**

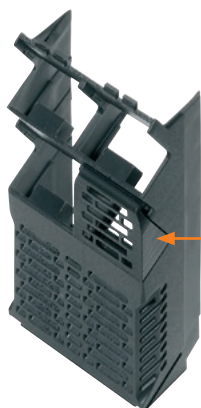


Black SIDE element
1-row,
4 connections
**CH20M22 S
PSCSC BK**

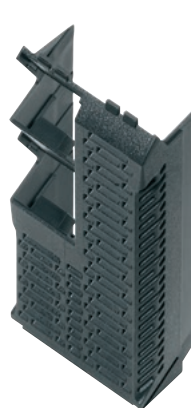
Connection area (SIDE) with 1 – 3 levels and varying connection configurations



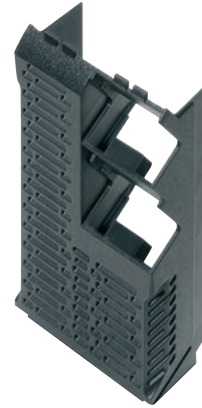
Black SIDE element
1-row 8 connections-
CH20M45 S P2SC/P2SC BK



Black SIDE element
2-row 16 connections
CH20M45 S 2PSC/2PSC BK
incl. Male header
CH20M AD-SHL



Black SIDE element
2-row 8 connections
CH20M45 S 2PSC/3SC BK



Black SIDE element
2-row 8 connections
CH20M45 S 3SC/2PSC BK

OMNIMATE® Housings

Component housing system CH20M

The module electronics housing system – CH20M (**C**omponent **H**ousings **IP 20 M**odular) – is designed for seven widths.

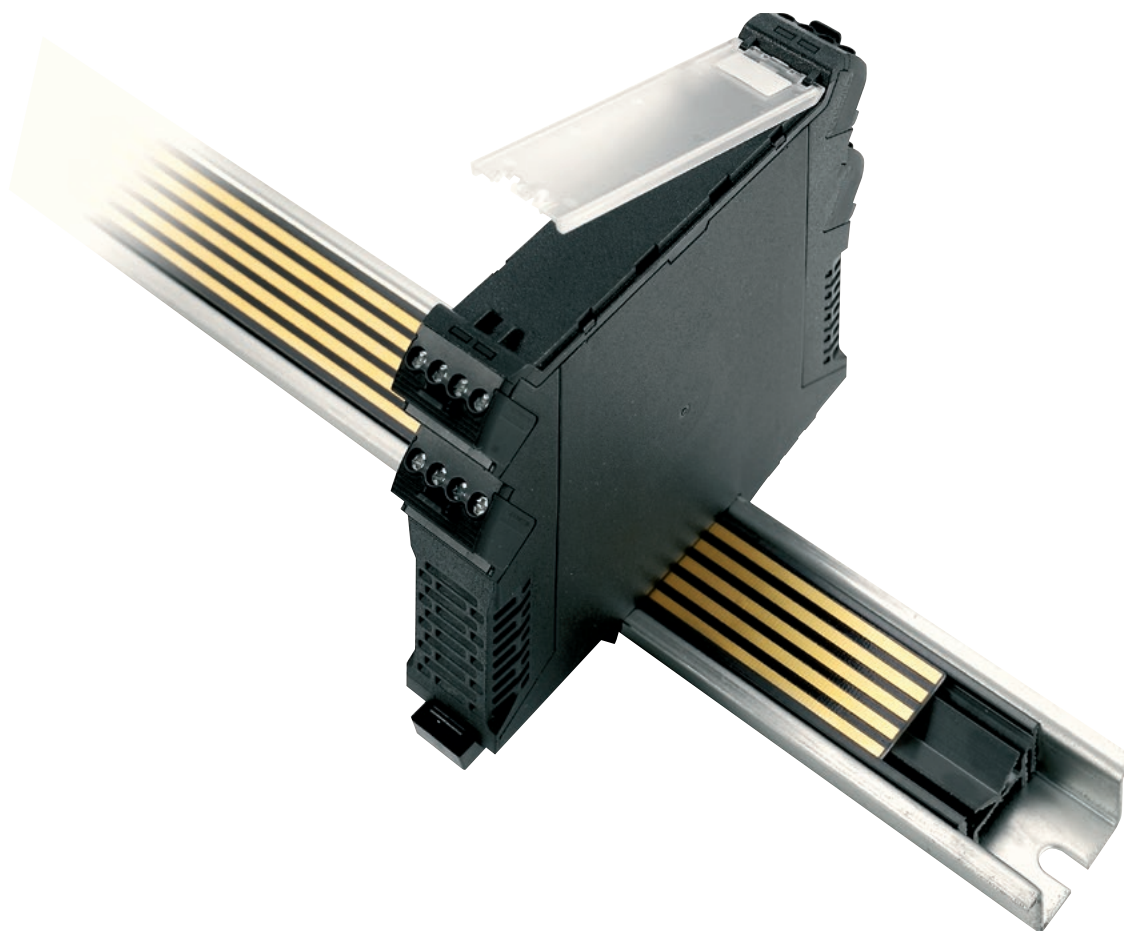
Width	Type	Sample kit including wire connection mechanism	Catalogue pages
6.1 mm	CH20M6	1203290000 CH20M6 S-Kit	N.16
12.5 mm	CH20M12	1167190000 CH20M12 S-Kit	N.18
17.5 mm	CH20M17	1255820000 CH20M17 S-Kit	N.20
22.5 mm	CH20M22	1158390000 CH20M22 S-Kit	N.22
35.0 mm	CH20M35	On request	
45.0 mm	CH20M45	1203350000 CH20M45 S-Kit	N.24
67.0 mm	CH20M67	1275810000 CH20M67 S-Kit	N.26

Note: The sample kit contains all individual parts for setting up a housing, including the circuit board and wire connection mechanism.

Colour scale¹⁾

- Similar to RAL 9011
- Similar to RAL 7024
- Similar to RAL 7035
- Similar to RAL 5012
- Similar to RAL 1003
- Similar to RAL 3000

Note 1) Other colours on request



Housing elements

Hinged cover



Description/Type

COVER (CH20Mxx C xx)

- Transparent (light or dark)
- Holds itself in place when opened
- Sealable

Design options

Transparent

- Pad printing
- Markable
- Machinable

123

Housing front



FRONT (CH20Mxx F xx)

- Large usable surface for the operational and display elements
- Can be customised

¹⁾

- Laser marking
- With hinges for cover
- Optionally closed (without hinged cover)

123

Connection area



SIDE (CH20Mxx S xx)

- 1 - 3 connection levels
- Can be configured asymmetrically
- For up to 3 circuit boards
- Up to 72 wires can be connected

¹⁾

- Laser marking
- 1 - 3 plugging levels
- Up to 3 circuit boards, can be populated on both sides up to 5 mm on bottom of board
- With or without bus cut-out

Housing base



BASE (CH20Mxx B xx)

- For TS 35 DIN rails
- Pre-attached snap-on foot
- ESD-protected (8kV acc. to EN 61000-4-2)
- All elements are permanently snapped in

¹⁾

- Laser marking
- With or without bus cut-out
- Optional FE contact
- Snap-on foot in 2 standard colours (orange + black)

123

Connection system



BHZ female plug / SHL male header

- Reflow compatible
- Integrated "AutoSet" coding
- Release clip is standard
- Plug can be removed in direction of operation
- Can be automatically processed

¹⁾

- Headers packaged in box or on tape
- Clamping yoke screw connection
- PUSH IN spring connection (on request)

123

Rail bus



Bus

- Integrated in TS 35 DIN rail
- For power, signals and data
- 5 conductor paths (max. 5 A / 63 V)
- SMD-compatible bus contacts (2 A / 63 V)

7.5 x 35

- Can be shortened to length
- For 7.5 and 15 mm with finger-safe hood
- Pre-assembled on request

15 x 35

printable (pad printing / laser marking), 123 markable, machinable, variable circuit board position

CH20M6



Modular component housing for electronic components

- 6.1mm wide
- Connection method: PCB terminals, clamping yoke screw connection
- Max. 8 wires

Technical data

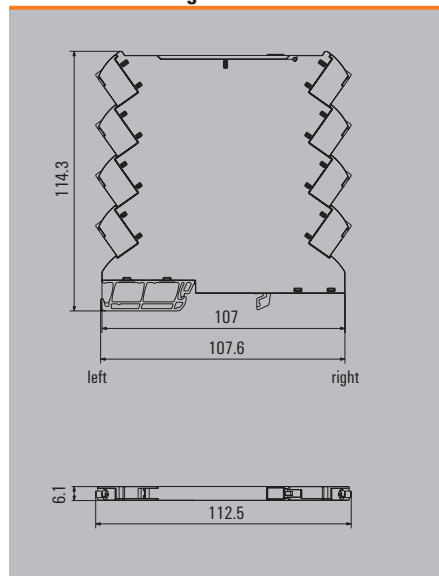
Insulating material	PBT
Flammability rating (UL 94)	VO
Rated voltage	250 V AC
Rated current	13 A

Demo/Sample Kit

Type / Version	Qty.	Order No.
SK DEMO CH20M6	1	1203310000
SK S-KIT CH20	1	1203290000

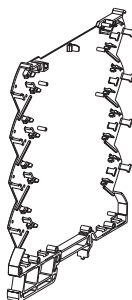
Note: Demo kits are already assembled in final configuration (demonstration pieces). S-kits contain individual parts (e.g. for prototyping)

Dimensional drawing



CH20M6 BP




Base shell



Base shell

- For mounting on rail
- Optionally with BUS cut-out

Ordering data

Type / Version	Qty.	Order No.
 Base housing, black CH20M6 BP 4P-4P BK	50	2418600000
 Base housing BUS black CH20M6 BP 4P-4P BUS BK	50	1164630000
 Base housing FE black CH20M6 BP 4P-4P FE BK	50	1164650000



CH20M6 BC

Base lid



Base lid

Ordering data

Type / Version	Qty.	Order No.
 black CH20M6 BC 4P-4P BK	50	2418610000
 black CH20M6 BC 4P-4P BUS BK	50	1164640000

CH20M6 C

Hinged cover



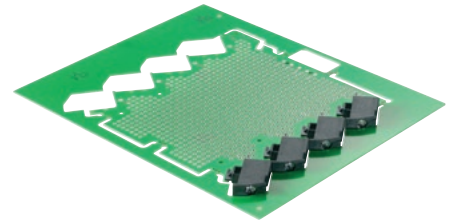
Hinged cover

Ordering data

Type / Version	Qty.	Order No.
 dark transparent CH20M6 C BK	50	2418620000
 transparent CH20M6 C TP	50	1073410000

Connection system

and accessories



PCB terminal

Type / Version	Qty.	Order No.
Left, box packaging LHZ-SMT L 1.5SN BK BX	50	1137870000
Right, box packaging LHZ-SMT R 1.5SN BK BX	50	1137880000
Left, tape-on-reel LHZ-SMT L 1.5SN BK RL	432	2418580000
Right, tape-on-reel LHZ-SMT R 1.5SN BK RL	432	2418590000

Markers

Type / Version	Qty.	Order No.
Device marker hinged cover MF 5/7,5 MC NEUTRAL	50	1877680000

CH20M12



Modular component housing for electronic components

- 12.5 mm wide
- Pluggable wire connection
- Max. 12 wires

CH20M6 BP

BASE element



BASE



Base element with pre-attached snap-on foot

- Optionally with BUS cut-out
- Optionally with FE cut-out

CH20M12 S

SIDE element



SIDE

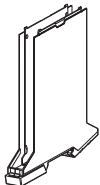


Side element


Technical data

Insulating material	PA6.6
Flammability rating (UL 94)	V0
Rated voltage	250 V AC
Rated current	10 A

Ordering data

Type / Version	Qty.	Order No.
 Base element, black, Snap-on foot, black CH20M12 B BK/BK	14	1104170000

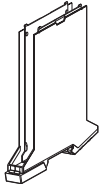
Ordering data


Type / Version	Qty.	Order No.
 Side element, black, 1-row., for 2 connections* CH20M12 S PSCSC BK	14	1104210000

Demo/Sample Kit

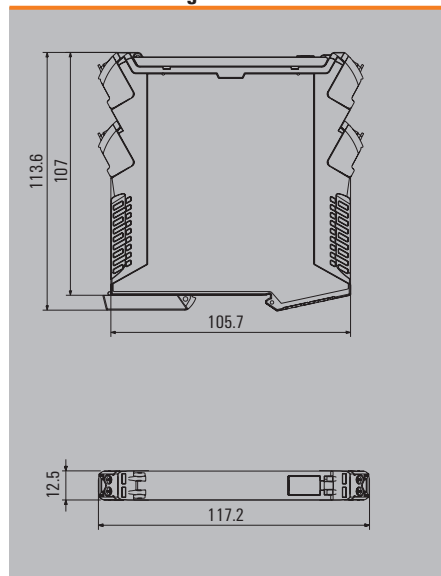
Type / Version	Qty.	Order No.
SK DEMO CH20M12	1	1111630000
SK S-KIT CH20M12	1	1167190000

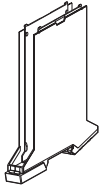
Note: Demo kits are already assembled in final configuration (demonstration pieces), S-kits contain individual parts (e.g. for prototyping)


 Base element, black, Snap-on foot, orange CH20M12 B BK/OR	14	1104180000
--	----	------------

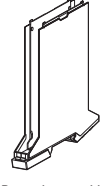
 Side element, black, 2-row., for 4 connections CH20M12 S PPSC BK	14	1104200000
---	----	------------

Dimensional drawing



 Base element, black, BUS, Snap-on foot, orange CH20M12 B BUS BK/OR	14	1176980000
---	----	------------

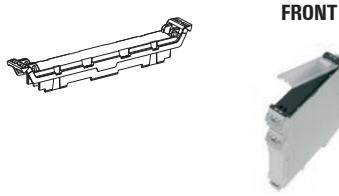
 Side element, black, 3-row., for 6 connections CH20M12 S PPP BK	14	1174280000
--	----	------------

 Base element, black, FE (Version for functional earth), Snap-on foot, orange CH20M12 B FE BK/OR	14	1176990000
---	----	------------

*) The side itself does not have any connections

CH20M12 F

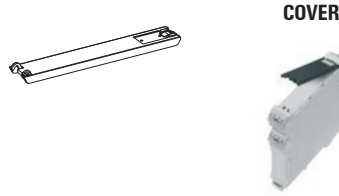
FRONT Element



Front element

CH20M12 C

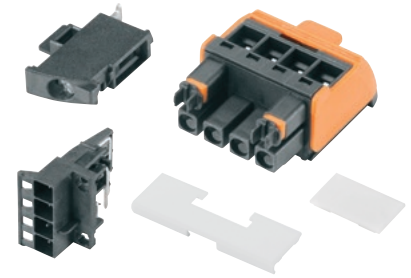
COVER Element



Hinged cover

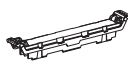
Connection system

and accessories



Female plug 2-pole, black,
Male header 2-pole, black,
Left and right versions of header

Ordering data

Type / Version	Qty.	Order No.
 Front element black CH20M12 F BK	70	1104190000

Ordering data

Type / Version	Qty.	Order No.
 Hinged cover, dark transparent CH20M12 C BK	70	1104240000
 Hinged cover, transparent CH20M12 C TP	70	1104250000

Female plug

Type / Version	Qty.	Order No.
Release lever, orange BHZ 5.00/02/90LH BK/DR	150	1063260000
Release lever, black BHZ 5.00/02/90LH BK/BK	150	1069330000
Release lever, blue BHZ 5.00/02/90LH BK/BL	150	1069360000

Male header

Type / Version	Qty.	Order No.
Left version, box packaging SHL-SMT 5.00/02GL 4.2BX	156	1069620000
SHL-SMT 5.00/02GL 5.9BX	156	1069750000
Right version, box packaging SHL-SMT 5.00/02GR 4.2BX	156	1069550000
SHL-SMT 5.00/02GR 5.9BX	156	1069680000
Left version, tape-on-reel SHL-SMT 5.00/02GL 4.2RL	260	1069650000
SHL-SMT 5.00/02GL 5.9RL	260	1069780000
Right version, tape-on-reel SHL-SMT 5.00/02GR 4.2RL	260	1069580000
SHL-SMT 5.00/02GR 5.9RL	260	1069720000

Plug cover

Type / Version	Qty.	Order No.
Cover, black 2-pole CH20M AD SHL 5.00/02 BK		On request

Markers

Type / Version	Qty.	Order No.
Device marker hinged cover ESG 8/13.5/43.3 SAI AU	5	1912130000
Device marker Female plug ESG 6.6/11 BHZ 5.00/02	200	1082490000

CH20M17

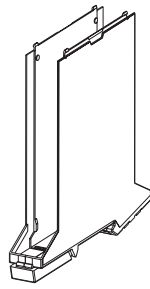


Modular component housing for electronic components

- 17.5 mm wide
- Pluggable wire connection
- Max. 18 wires

CH20M17 B

BASE element



BASE



Base element with pre-attached snap-on foot

- Optionally with BUS cut-out
- Optional with cut-out for functional earth (FE)

CH20M17 S

SIDE element



SIDE

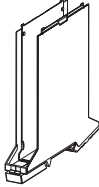


Side element

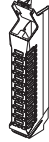
Technical data

Insulating material	PA6.6
Flammability rating (UL 94)	V0
Rated voltage	250 V AC
Rated current	10 A

Ordering data

Type / Version	Qty.	Order No.
 Base element, black, Snap-on foot, black CH20M17 B BK/BK	12	1254120000

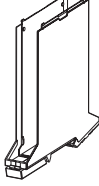
Ordering data

Type / Version	Qty.	Order No.
 Side element, black, 1-row, 3 connections CH20M17 S PSCSC BK		On request

Demo/Sample Kit

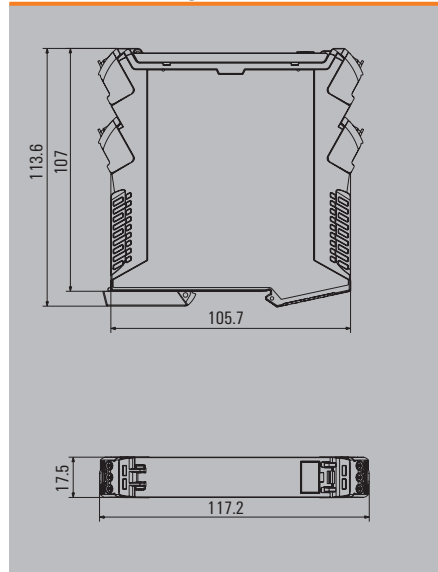
Type / Version	Qty.	Order No.
SK DEMO CH20M17	1	On request
SK S-KIT CH20M17	1	1255820000

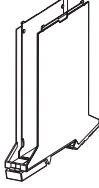
Note: Demo kits are already assembled in final configuration (demonstration pieces), S-kits contain individual parts (e.g. for prototyping)


 Base element, black, Snap-on foot, orange CH20M17 B BK/OR	12	1254130000
---	----	------------

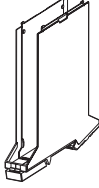
 Side element, black, 2-row, 6 connections CH20M17 S PPSC BK		On request
---	--	------------

Dimensional drawing



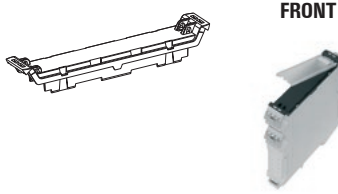
 Base element, black, BUS, Snap-on foot, orange CH20M17 B BUS BK/OR	12	1254180000
--	----	------------

 Side element, black, 3-row, 9 connections CH20M17 S PPP BK	12	1254170000
--	----	------------

 Base element, black, FE, Snap-on foot, orange CH20M17 B FE BK/OR	12	1254190000
--	----	------------

CH20M17 F

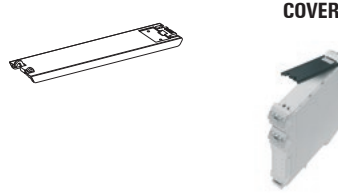
FRONT element



Front element

CH20M17 C

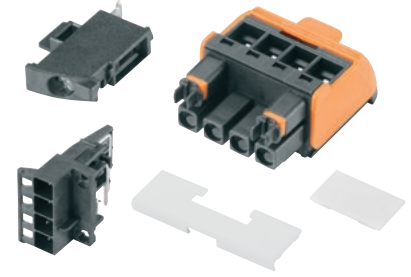
COVER element



Hinged cover

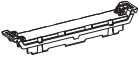
Connection system

and accessories



Female plug 3-pole, black
Male header 3-pole, black,
Left and right versions of header

Ordering data

Type / Version	Qty.	Order No.
 Front element, black CH20M17 F BK	50	1254140000

Ordering data

Type / Version	Qty.	Order No.
 Hinged cover, dark transparent CH20M17 C BK	50	1254150000
 Hinged cover, transparent CH20M17 C TP	50	1254160000

Female plug

Type / Version	Qty.	Order No.
Release lever, orange BHZ 5.00/03/90LH BK/DR	108	1063270000
Release lever, black BHZ 5.00/03/90LH BK/BK	108	1069340000
Release lever, blue BHZ 5.00/03/90LH BK/BL	108	1069370000

Male header

Type / Version	Qty.	Order No.
Left version, box packaging SHL-SMT 5.00/03GL 1.5BX	120	1063210000
SHL-SMT 5.00/03GL 4.2BX	120	1069630000
SHL-SMT 5.00/03GL 5.9BX	120	1069760000
Right version, box packaging SHL-SMT 5.00/03GR 1.5BX	120	1063140000
SHL-SMT 5.00/03GR 4.2BX	120	1069560000
SHL-SMT 5.00/03GR 5.9BX	120	1069690000
Left version, tape-on-reel SHL-SMT 5.00/03GL 1.5RL	175	1063240000
SHL-SMT 5.00/03GL 4.2RL	175	1069660000
SHL-SMT 5.00/03GL 5.9RL	175	1069790000
Right version, tape-on-reel SHL-SMT 5.00/03GR 1.5RL	175	1063170000
SHL-SMT 5.00/03GR 4.2RL	175	1069590000
SHL-SMT 5.00/03GR 5.9RL	175	1069730000

Plug cover

Type / Version	Qty.	Order No.
Cover, black 3-pole CH20M AD SHL 5.00/03 BK	50	1254110000

Markers

Type / Version	Qty.	Order No.
Device marker hinged cover ESG 8/13.5/43.3 SAI AU	5	1912130000
Device marker Female plug ESG 6.6/15 BHZ 5.00/03	200	1082520000

CH20M22

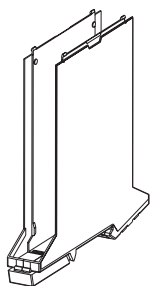


Modular component housing for electronic components

- 22.5 mm wide
- Pluggable wire connection
- Max. 24 wires

CH20M22 B

BASE element



BASE



Base element with pre-attached snap-on foot

- Optionally with BUS cut-out
- Optional with cut-out for functional earth (FE)

CH20M22 S

SIDE element



SIDE

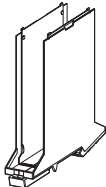


Side element


Technical data

Insulating material	PA6.6
Flammability rating (UL 94)	V0
Rated voltage	250 V AC
Rated current	10 A

Ordering data

Type / Version	Qty.	Order No.
 Base element, black, Snap-on foot, black CH20M22 B BK/BK	10	2418630000

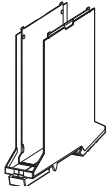
Ordering data


Type / Version	Qty.	Order No.
 Side element, black, 1-row, 4 connections CH20M22 S PSCSC BK	10	1080630000

Demo/Sample Kit

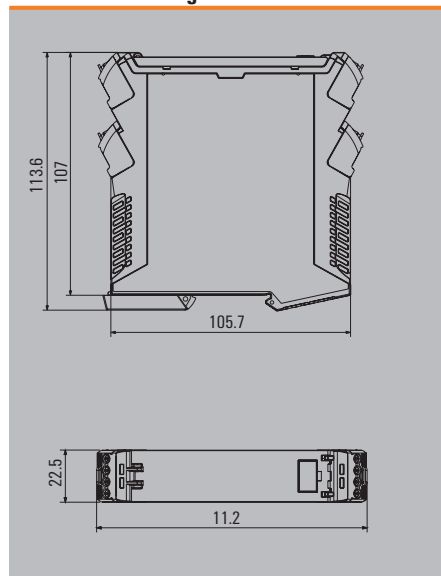
Type / Version	Qty.	Order No.
SK DEMO CH20M22	1	1105600000
SK S-KIT CH20M22	1	1158390000

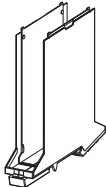
Note: Demo kits are already assembled in final configuration (demonstration pieces), S-kits contain individual parts (e.g. for prototyping)


 Base element, black, Snap-on foot, orange CH20M22 B BK/OR	10	1104450000
---	----	------------

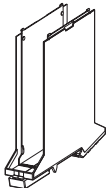
 Side element, black, 2-row, 8 connections CH20M22 S PPSC BK	10	2418650000
---	----	------------

Dimensional drawing



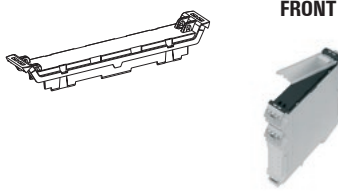
 Base element, black, BUS, Snap-on foot, orange CH20M22 B BUS BK/OR	10	1177000000
--	----	------------

 Side element, black, 3-row, 12 connections CH20M22 S PPP BK	10	1139790000
---	----	------------

 Base element, black, FE, Snap-on foot, orange CH20M22 B FE BK/OR	10	1177010000
--	----	------------

CH20M22 F

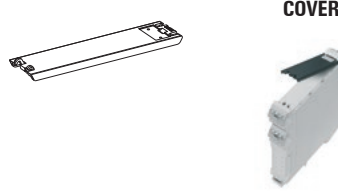
FRONT element



Front element

CH20M22 C

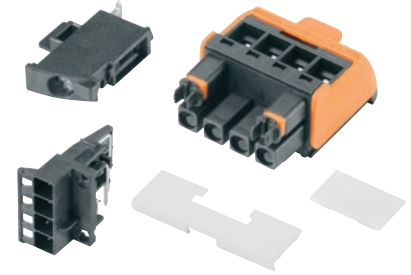
COVER element



Hinged cover

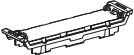
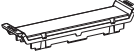
Connection system

and accessories





Female plug 4-pole, black
Male header 4-pole, black,
Left and right versions of header

Ordering data

Type / Version	Qty.	Order No.
		
Front element, black CH20M22 F BK	50	2418640000
		
Front element, closed, black CH20M22 FC BK	50	1209350000

Ordering data

Type / Version	Qty.	Order No.
		
Hinged cover, dark transparent CH20M22 C BK	50	2418670000
		
Hinged cover, transparent CH20M22 C TP	50	1073420000

Female plug

Type / Version	Qty.	Order No.
Release lever, orange BHZ 5.00/04/90LH BK/DR	78	1063280000
Release lever, black BHZ 5.00/04/90LH BK/BK	78	1069350000
Release lever, blue BHZ 5.00/04/90LH BK/BL	78	1069380000

Male header

Type / Version	Qty.	Order No.
Left version, box packaging SHL-SMT 5.00/04GL 1.5BX	120	1063220000
SHL-SMT 5.00/04GL 4.2BX	120	1069640000
SHL-SMT 5.00/04GL 5.9BX	120	1069770000
Right version, box packaging SHL-SMT 5.00/04GR 1.5BX	120	1063150000
SHL-SMT 5.00/04GR 4.2BX	120	1069570000
SHL-SMT 5.00/04GR 5.9BX	120	1069710000
Left version, tape-on-reel SHL-SMT 5.00/04GL 1.5RL	130	1063250000
SHL-SMT 5.00/04GL 4.2RL	130	1069670000
SHL-SMT 5.00/04GL 5.9RL	130	1069810000
Right version, tape-on-reel SHL-SMT 5.00/04GR 1.5RL	130	1063180000
SHL-SMT 5.00/04GR 4.2RL	130	1069610000
SHL-SMT 5.00/04GR 5.9RL	130	1069740000

Plug cover

Type / Version	Qty.	Order No.
Cover, black 4-pole CH20M AD SHL 5.00/04 BK	50	1221310000

Markers

Type / Version	Qty.	Order No.
Device marker hinged cover ESG 8/13.5/43.3 SAI AU	5	1912130000
Device marker Female plug ESG 6.6/20 BHZ 5.00/04	200	1082540000

CH20M45

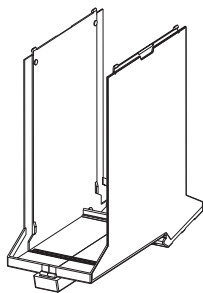


Modular component housing for electronic components

- 45 mm wide
- Pluggable wire connection
- Max. 48 wires

CH20M45 B

BASE element



BASE

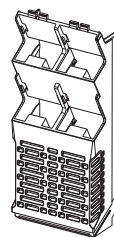


Base element with pre-attached snap-on foot

- Optionally with BUS cut-out
- Optional with cut-out for functional earth (FE)

CH20M45 S

SIDE element



SIDE



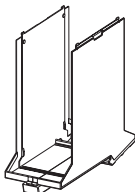
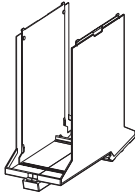
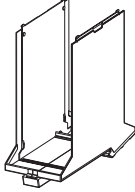
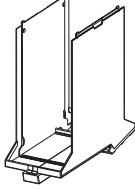
Side element

- Symmetrical versions

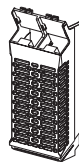

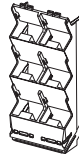
Technical data

Insulating material	PA6.6
Flammability rating (UL 94)	V0
Rated voltage	250 V AC
Rated current	10 A

Ordering data

Type / Version	Qty.	Order No.
 Base element, black, Snap-on foot, black CH20M45 B BK/BK	10	1104400000
 Base element, black, Snap-on foot, orange CH20M45 B BK/OR	10	1104410000
 Base element, black, BUS, Snap-on foot, orange CH20M45 B BUS BK/OR	10	1177020000
 Base element, black, FE, Snap-on foot, orange CH20M45 B FE BK/OR	10	1177030000

Ordering data

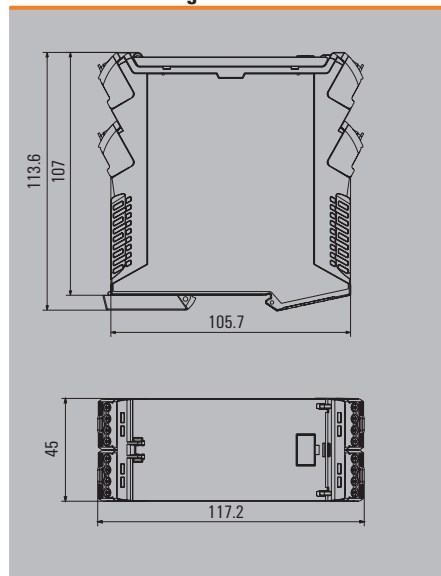
Type / Version	Qty.	Order No.
 Side element, black, 1-row, 8 connections CH20M45 S P2SC/P2SC BK	6	1166180000
 Side element, black, 2-row, 16 connections CH20M45 S 2PSC/2PSC BK	6	1111720000
 Side element, black, 3-row, 24 connections CH20M45 S 3P/3P BK	6	1137730000

Demo/Sample Kit

Type / Version	Qty.	Order No.
SK DEMO CH20M45	1	1111640000
SK S-KIT CH20M45	1	1203350000

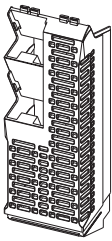
Note: Demo kits are already assembled in final configuration (demonstration pieces), S-kits contain individual parts (e.g. for prototyping)

Dimensional drawing



CH20M45 S

SIDE element



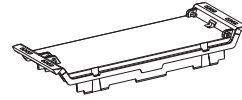
Side element
• Asymmetrical versions

CH20M45 C / CH20M45 F

**COVER element
FRONT element**



Hinged cover



Front element

COVER

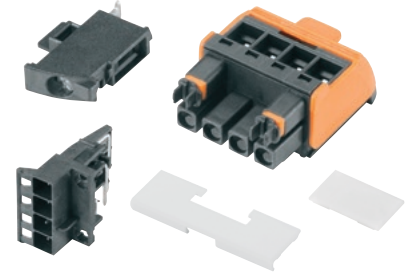


FRONT





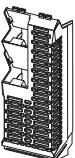

Connection system

and accessories



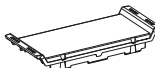
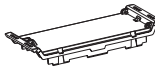


Female plug 4-pole, black,
Male header 4-pole, black,
Left and right versions of header

Ordering data

Type / Version	Qty.	Order No.
 Side element, black, 1-row, 4 connections CH20M45 S P2SC/3SC BK	6	On request
 Side element, black, 1-row, 4 connections CH20M45 S 3SC/P2SC BK	6	On request
 Side element, black, 2-row 8 connections CH20M45 S 2PSC/3SC BK	6	1137740000
 Side element, black, 2-row 8 connections CH20M45 S 3SC/2PSC BK	6	1137750000

Ordering data

Type / Version	Qty.	Order No.
 Hinged cover, transparent CH20M45 C TP	30	1104440000
 Hinged cover, dark transparent CH20M45 C BK	30	1104430000
 Front element, closed, black CH20M45 FC BK	30	1164800000
 Front element, black CH20M45 F BK	30	1104420000

Female plug

Type / Version	Qty.	Order No.
Release lever, orange BHZ 5.00/04/90LH BK/DR	78	1063280000
Release lever, black BHZ 5.00/04/90LH BK/BK	78	1069350000
Release lever, blue BHZ 5.00/04/90LH BK/BL	78	1069380000

Male header

Type / Version	Qty.	Order No.
Left version, box packaging SHL-SMT 5.00/04GL 1.5BX	120	1063220000
SHL-SMT 5.00/04GL 4.2BX	120	1069640000
SHL-SMT 5.00/04GL 5.9BX	120	1069770000
Right version, box packaging SHL-SMT 5.00/04GR 1.5BX	120	1063150000
SHL-SMT 5.00/04GR 4.2BX	120	1069570000
SHL-SMT 5.00/04GR 5.9BX	120	1069710000
Left version, tape-on-reel SHL-SMT 5.00/04GL 1.5RL	130	1063250000
SHL-SMT 5.00/04GL 4.2RL	130	1069670000
SHL-SMT 5.00/04GL 5.9RL	130	1069810000
Right version, tape-on-reel SHL-SMT 5.00/04GR 1.5RL	130	1063180000
SHL-SMT 5.00/04GR 4.2RL	130	1069610000
SHL-SMT 5.00/04GR 5.9RL	130	1069740000

Plug cover

Type / Version	Qty.	Order No.
Cover, black 4-pole CH20M AD SHL 5.00/04 BK	50	1221310000

Markers

Type / Version	Qty.	Order No.
Device marker hinged cover ESG 8/13.5/43.3 SAI AU	5	1912130000
Device marker Female plug ESG 6.6/20 BHZ 5.00/04	200	1082540000

CH20M67

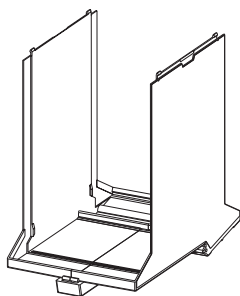


Modular component housing for electronic components

- 67.5 mm wide
- Pluggable wire connection
- Max. 72 wires

CH20M67 B

BASE element



BASE

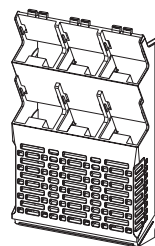


Base element with pre-attached snap-on foot

- Optionally with BUS cut-out
- Optional with cut-out for functional earth (FE)

CH20M67 S

SIDE element



SIDE



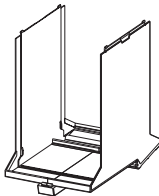
Side element

- Symmetrical versions

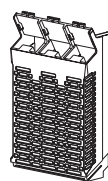
Technical data

Insulating material	PA6.6
Flammability rating (UL 94)	V0
Rated voltage	250 V AC
Rated current	10 A

Ordering data

Type / Version	Qty.	Order No.
 Base element, black, Snap-on foot, black CH20M67 B BK/BK	4	1235270000

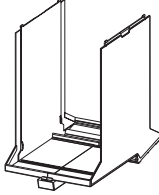
Ordering data

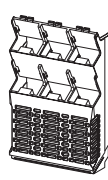
Type / Version	Qty.	Order No.
 Side element, black, 1-row, 12 connections CH20M67 S P2SC/P2SC/P2SC BK	4	On request

Demo/Sample Kit

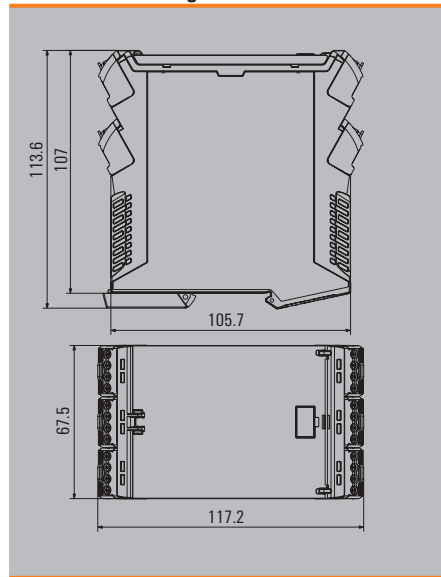
Type / Version	Qty.	Order No.
SK DEMO CH20M67	1	On request
SK S-KIT CH20M67	1	1275810000

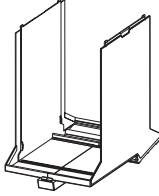
Note: Demo kits are already assembled in final configuration (demonstration pieces), S-kits contain individual parts (e.g. for prototyping)

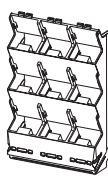
 Base element, black, Snap-on foot, orange CH20M67 B BK/O	4	1235250000
---	---	------------

 Side element, black, 2-row, 24 connections CH20M67 S 2PSC/2PSC/2PSC BK	4	1235320000
---	---	------------

Dimensional drawing

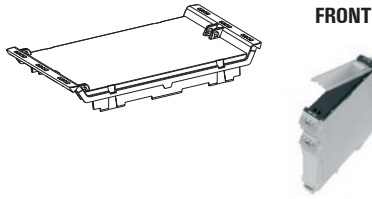


 Base element, black, FE, Snap-on foot, orange CH20M45 B FE BK/OR	4	1247240000
---	---	------------

 Side element, black, 3-row 36 connections CH20M67 S 3P/3P/3P BK	4	On request
--	---	------------

CH20M67 F

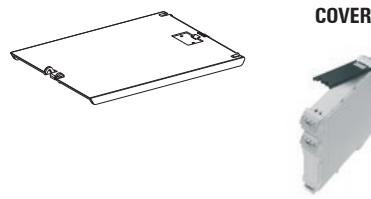
FRONT element



Front element

CH20M67 C

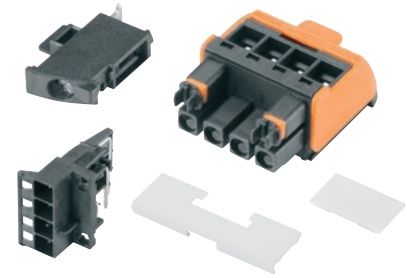
COVER element



Hinged cover

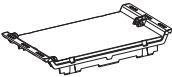
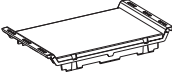
Connection system

and accessories

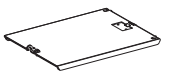
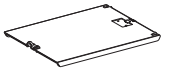


Female plug 4-pole, black
Male header 4-pole, black
Left and right versions of header

Ordering data

Type / Version	Qty.	Order No.
 Front element, black CH20M67 F BK	30	On request
 Front element, closed, black CH20M67 FC BK	30	1235310000

Ordering data

Type / Version	Qty.	Order No.
 Hinged cover, dark transparent CH20M67 C BK	30	On request
 Hinged cover, transparent CH20M67 C TP	30	On request

Female plug

Type / Version	Qty.	Order No.
Release lever, orange BHZ 5.00/04/90LH BK/DR	78	1063280000
Release lever, black BHZ 5.00/04/90LH BK/BK	78	1069350000
Release lever, blue BHZ 5.00/04/90LH BK/BL	78	1069380000

Male header

Type / Version	Qty.	Order No.
Left version, box packaging SHL-SMT 5.00/04GL 1.5BX	120	1063220000
SHL-SMT 5.00/04GL 4.2BX	120	1069640000
SHL-SMT 5.00/04GL 5.9BX	120	1069770000
Right version, box packaging SHL-SMT 5.00/04GR 1.5BX	120	1063150000
SHL-SMT 5.00/04GR 4.2BX	120	1069570000
SHL-SMT 5.00/04GR 5.9BX	120	1069710000
Left version, tape-on-reel SHL-SMT 5.00/04GL 1.5RL	130	1063250000
SHL-SMT 5.00/04GL 4.2RL	130	1069670000
SHL-SMT 5.00/04GL 5.9RL	130	1069810000
Right version, tape-on-reel SHL-SMT 5.00/04GR 1.5RL	130	1063180000
SHL-SMT 5.00/04GR 4.2RL	130	1069610000
SHL-SMT 5.00/04GR 5.9RL	130	1069740000

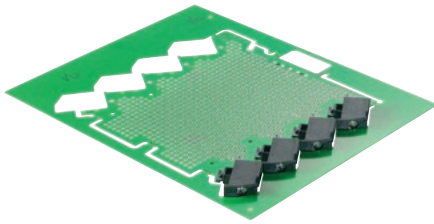
Plug cover

Type / Version	Qty.	Order No.
Cover, black 4-pole CH20M AD SHL 5.00/04 BK	50	1221310000

Markers

Type / Version	Qty.	Order No.
Device marker hinged cover ESG 8/13.5/43.3 SAI AU	5	1912130000
Device marker Female plug ESG 6.6/20 BHZ 5.00/04	200	1082540000

LHZ



THR PCB terminal for 6 mm housings,
CH20M6 reflow-compatible,
Pole count: 1
solder pin length: 1.5 mm
Orientation: 90°

Technical data

Insulating material	LCP
Flammability rating (UL 94)	V0
Rated voltage	250 V
Rated current	13 A

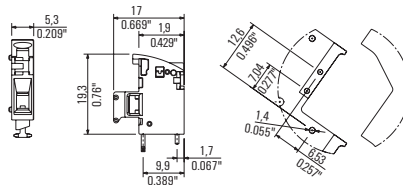
Conductors that can be connected

Clamping range	0.13 mm ² - 2.5 mm ²
Wire cross-section, AWG, min.	AWG 26 - AWG 14
Solid, min. H05(07) V-U	0.2 mm ² - 2.5 mm ²
Flexible, min. H05(07) V-K	0.2 mm ² - 2.5 mm ²
With wire-end ferrule with DIN 46 228/4, min.	0.2 mm ² - 2.5 mm ²

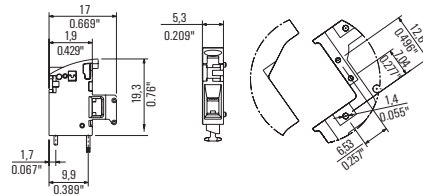
Rated data according to DIN IEC

Rated voltage for surge voltage class / contamination degree III/3	250 V
Rated impulse voltage for surge voltage class / contamination degree III/3	4 kV
Rated voltage for surge voltage class / contamination degree III/2	320 V
Rated impulse voltage for surge voltage class / contamination degree III/2	4 kV
Rated voltage for surge voltage class / contamination degree II/2	500 V
Rated impulse voltage for surge voltage class / contamination degree II/2	4 kV

Dimensional drawing



Version left



Version right

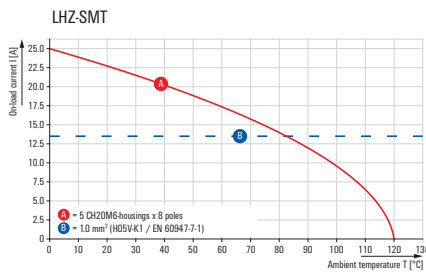
LHZ



Ordering data

Type / Version	Qty.	Order No.
LHZ-SMT L 1.5SN BK RL		
Left version, tape-on-reel	432	2418580000
LHZ-SMT R 1.5SN BK RL		
Right version, tape-on-reel	432	2418590000

Derating curve



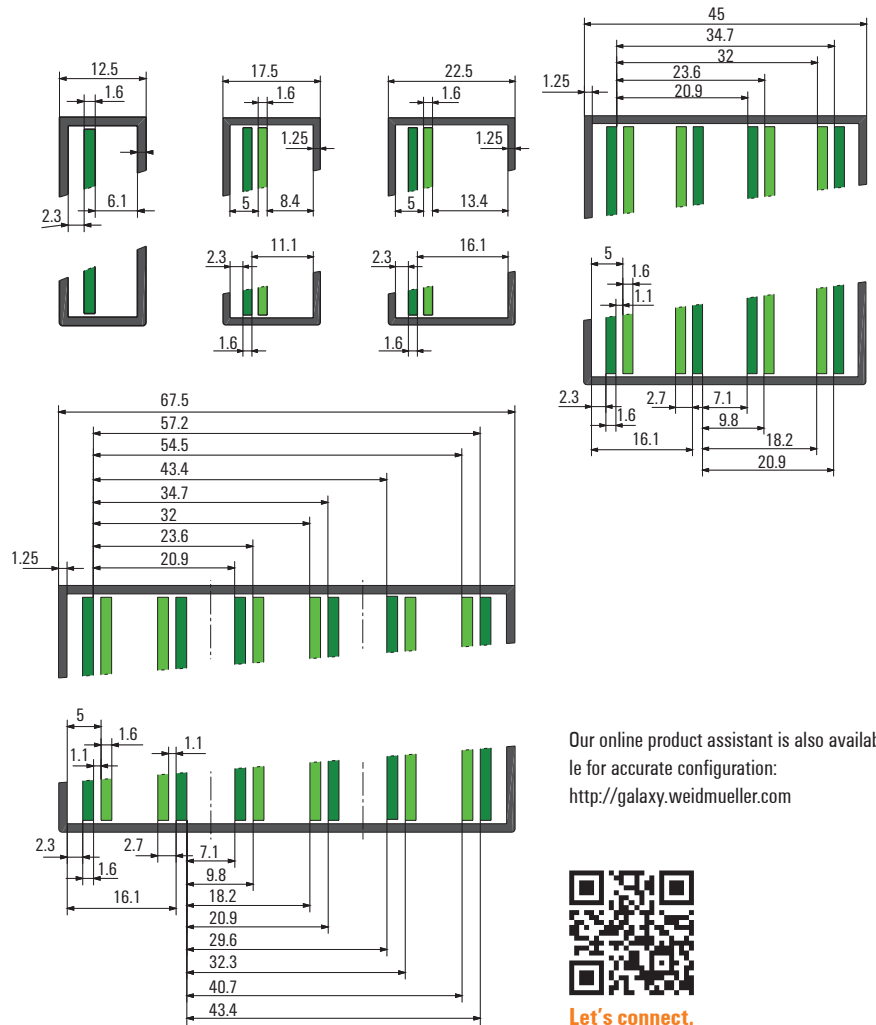
Note: Rated data according to UL - refer to the online data sheet

Circuit board positions in CH20M

Housing width (mm)	12.5	17.5	22.5	45.0	67.5
Number of circuit boards	1	1	1	2	3
Positions per circuit board	1	2	2	4	4

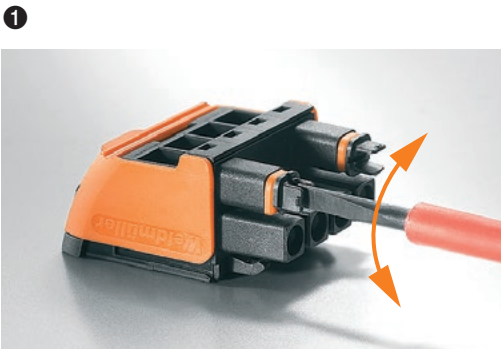


Dimensional sketch

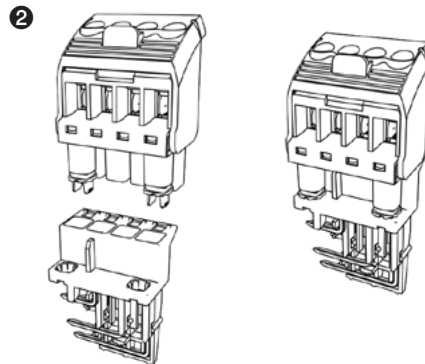


Features of the BHZ/SHL connector system

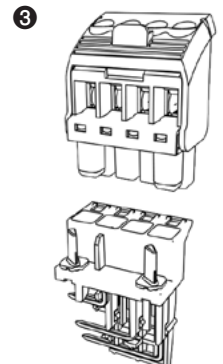
- Clamping yoke screw connection – with “WireReady”, wire guard protection and plus/minus screw
- Integrated, captive coding (with “AutoSet” function) protects against accidental mismatch
- Leading contact on the male headers
- Finger-safety provided for both, male and female connector



Coding can be set with one of 16 possible configurations

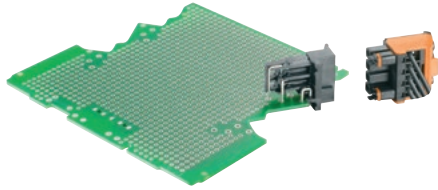


Connecting the female connector



Male header coding transferred to module

SHL-SMT

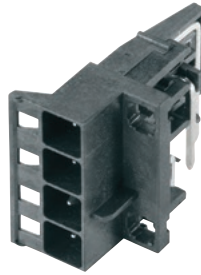


THR male header for modular housing CH20M12-67
Can be reflow soldered, resistant to high temperatures
The position of the PCB (see also dimensional sketch) is determined through the configuration of the pin headers
Suffix 1.5: PCB position 5,0 mm / pin length 1,5 mm (Reflow)
Suffix 4.2: PCB position 2,3 mm / pin length 1,5 mm (Reflow)
Suffix 5.9: PCB position 2,3 mm / pin length 3,2 mm (Wave)

Technical data

Insulating material	LCP
Flammability rating (UL 94)	VO
Rated voltage	250 V
Rated current	10 A

SHL-SMT 5.00/GL BX



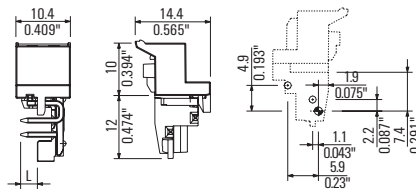
Left-sided pin header
Box packaging

Ordering data

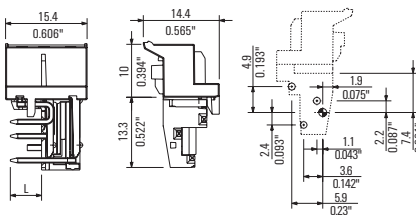
Type / Version	Poles	Qty.	Order No.
SHL-SMT 5.00/02GL 4.2BX	2	156	1069620000
SHL-SMT 5.00/02GL 5.9BX	2	156	1069750000
SHL-SMT 5.00/03GL 1.5BX	3	120	1063210000
SHL-SMT 5.00/03GL 4.2BX	3	120	1069630000
SHL-SMT 5.00/03GL 5.9BX	3	120	1069760000
SHL-SMT 5.00/04GL 1.5BX	4	120	1063220000
SHL-SMT 5.00/04GL 4.2BX	4	120	1069640000
SHL-SMT 5.00/04GL 5.9BX	4	120	1069770000

Dimensional drawing

Version left
2-pole



3-pole



SHL-SMT 5.00GL RL



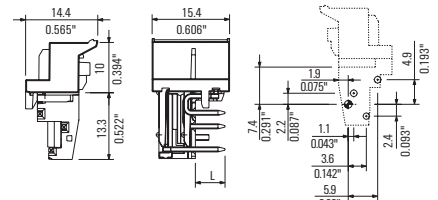
Left-sided pin header
Tape-on-reel

Ordering data

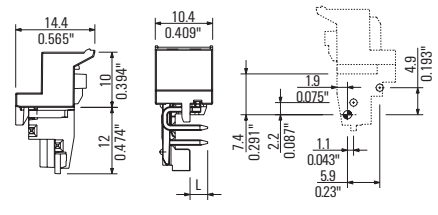
Type / Version	Poles	Qty.	Order No.
SHL-SMT 5.00/02GL 4.2RL	2	260	1069650000
SHL-SMT 5.00/02GL 5.9RL	2	260	1069780000
SHL-SMT 5.00/03GL 1.5RL	3	175	1063240000
SHL-SMT 5.00/03GL 4.2RL	3	175	1069660000
SHL-SMT 5.00/03GL 5.9RL	3	175	1069790000
SHL-SMT 5.00/04GL 1.5RL	4	130	1063250000
SHL-SMT 5.00/04GL 4.2RL	4	130	1069670000
SHL-SMT 5.00/04GL 5.9RL	4	130	1069810000

Dimensional drawing

Version right
2-pole



3-pole



Rated data when used together with BHZxx female plug; refer to page N.32

SHL-SMT 5.00/GR BX



Version right
Box packaging

SHL-SMT 5.00GR RL



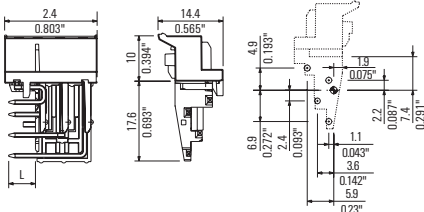
Version right
Tape-on-reel

Ordering data

Type / Version	Poles	Qty.	Order No.
SHL-SMT 5.00/02GR 4.2BX	2	156	1069550000
SHL-SMT 5.00/02GR 5.9BX	2	156	1069680000
SHL-SMT 5.00/03GR 1.5BX	3	120	1063140000
SHL-SMT 5.00/03GR 4.2BX	3	120	1069560000
SHL-SMT 5.00/03GR 5.9BX	3	120	1069690000
SHL-SMT 5.00/04GR 1.5BX	4	120	1063150000
SHL-SMT 5.00/04GR 4.2BX	4	120	1069570000
SHL-SMT 5.00/04GR 5.9BX	4	120	1069710000

Dimensional drawing

Version left
4-pole

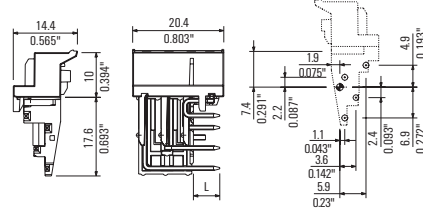


Ordering data

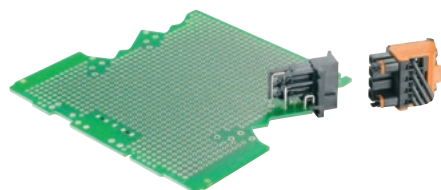
Type / Version	Poles	Qty.	Order No.
SHL-SMT 5.00/02GR 4.2RL	2	260	1069580000
SHL-SMT 5.00/02GR 5.9RL	2	260	1069720000
SHL-SMT 5.00/03GR 1.5RL	3	175	1063170000
SHL-SMT 5.00/03GR 4.2RL	3	175	1069590000
SHL-SMT 5.00/03GR 5.9RL	3	175	1069730000
SHL-SMT 5.00/04GR 1.5RL	4	130	1063180000
SHL-SMT 5.00/04GR 4.2RL	4	130	1069610000
SHL-SMT 5.00/04GR 5.9RL	4	130	1069740000

Dimensional drawing

Version right
4-pole



BHZ



Female plug for modular housing CH20M12-67
5.00 mm, clamping-yoke connection, integrated
coding, release lever can be colour coded

Technical data

Insulating material	PA
Flammability rating (UL 94)	V0
Rated voltage	250 V
Rated current	10 A

Conductors that can be connected

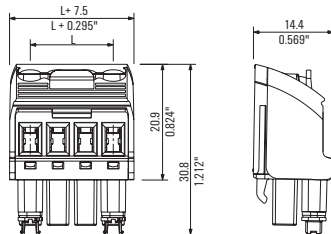
Clamping range	0.13 mm ² - 3.31 mm ²
Wire cross-section, AWG, min	AWG 26 - AWG 12
Solid, min. H05(07) V-U	0.2 mm ² - 2.5 mm ²
Flexible, min. H05(07) V-K	0.2 mm ² - 2.5 mm ²
With wire end ferrule, acc. to DIN 46 228/1, max.	0.2 mm ² - 2.5 mm ²
With wire-end ferrule with DIN 46 228/4, min.	0.2 mm ² - 2.5 mm ²

Rated data according to DIN IEC

Rated current, Max. pole count (Tu=20 °C)	10 A
Rated current, Max. pole count (Tu=40 °C)	9 A
Rated voltage for surge voltage class / contamination degree III/3	250 V
Rated impulse voltage for surge voltage class / contamination degree III/3	4 kV
Rated impulse voltage for surge voltage class / contamination degree III/2	4 kV
Rated voltage for surge voltage class / contamination degree III/2	320 V
Rated voltage for surge voltage class / contamination degree II/2	400 V
Rated impulse voltage for surge voltage class / contamination degree II/2	4 kV

Note: Rated data according to UL - refer to the online data sheet

Dimensional drawing



BHZ 5.00/90 BK/OR

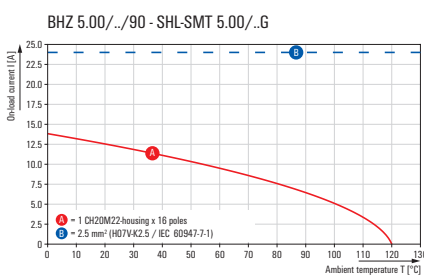
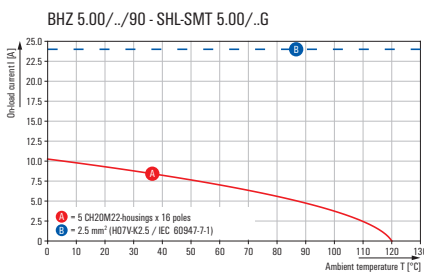


Release lever, orange

Ordering data

Type / Version	Poles	Qty.	Order No.
BHZ 5.00/02/90LH BK/OR	2	150	1063260000
BHZ 5.00/03/90LH BK/OR	3	180	1063270000
BHZ 5.00/04/90LH BK/OR	4	78	1063280000

Derating curve



BHZ 5.00/90 BK/BK



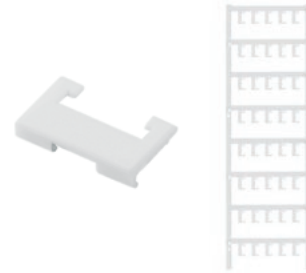
Release lever, black

BHZ 5.00/90 BK/BL



Release lever, blue

Accessories



Marker for release lever

Ordering data

Type / Version	Poles	Qty.	Order No.
BHZ 5.00/02/90LH BK/BK	2	150	1069330000
BHZ 5.00/03/90LH BK/BK	3	108	1069340000
BHZ 5.00/04/90LH BK/BK	4	78	1069350000

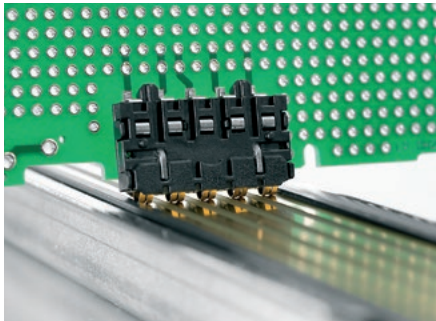
Ordering data

Type / Version	Poles	Qty.	Order No.
BHZ 5.00/02/90LH BK/BL	2	150	1069360000
BHZ 5.00/03/90LH BK/BL	3	108	1069370000
BHZ 5.00/04/90LH BK/BL	4	78	1069380000

Ordering data

Type / Version	Poles	Qty.	Order No.
ESG 6.6/11 BHZ 5.00/02	2	200	1082490000
ESG 6.6/15 BHZ 5.00/03	3	200	1082520000
ESG 6.6/20 BHZ 5.00/04	4	200	1082540000

SR-SMD

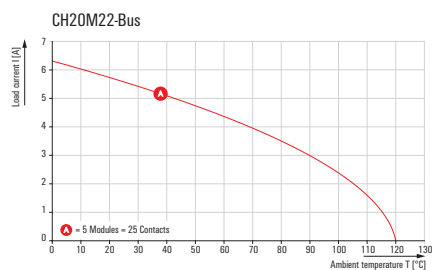
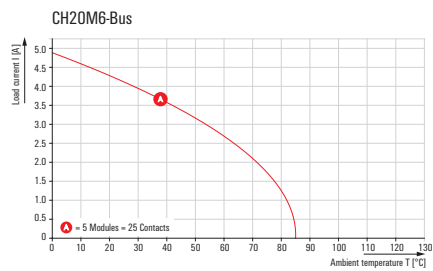


Bus contact block
Reflow-compatible, resistant to high temperatures,
5-pole, for rail bus

Technical data

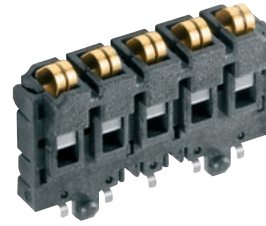
Insulating material	LCP
Flammability rating (UL 94)	V0
Rated voltage IEC	63 V AC
Rated current IEC CH20M6	2 A (at 70 °C)
Rated current IEC CH20M22	4 A (at 70 °C)
Rated voltage UL	150 V
Rated current UL	5 A

Derating curve



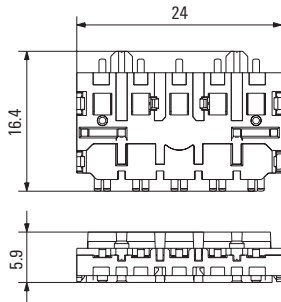
Note: Framework conditions of rating data available on request

SR-SMD

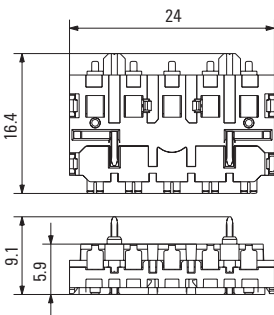


Bus contact for CH20M6

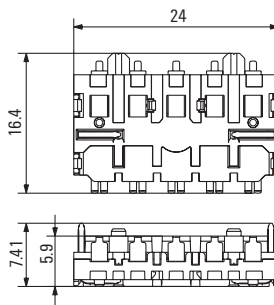
Dimensional drawing



For CH20M6



With centre solder flange for CH20M12-67



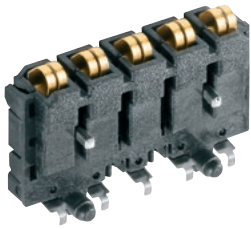
With solder flange for CH20M12-67

Ordering data

Type / Version	Qty.	Order No.
SR-SMD 4.50/05/90 AU BK BX	72	1155840000
SR-SMD 4.50/05/90 AU BK RL	300	1155850000

"BX" means box packaging, "RL" means tape-on-reel

SR-SMD

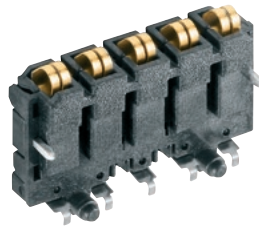


Bus contact with centre solder flange for CH20M12-67

Ordering data

Type / Version	Qty.	Order No.
SR-SMD 4.50/05/90LFM AU BK BX	72	1155870000
SR-SMD 4.50/05/90LFM 3.2AU BK RL	300	1155880000

SR-SMD

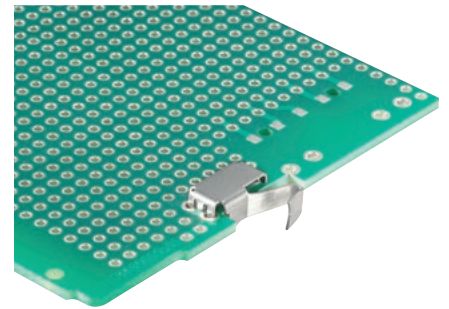


Bus contact with solder flange for CH20M12-67

Ordering data

Type / Version	Qty.	Order No.
SR-SMD 4.50/05/90LF AU BK BX	72	1155890000
SR-SMD 4.50/05/90LF 1.5AU BK RL	300	1155900000

CH20M FE 12-67



FE contact for CH20M 12-67

Ordering data

Type / Version	Qty.	Order No.
CH20M FE 12-67 1.5SN RL	750	1189370000
CH20M FE 12-67 3.2SN RL	750	1264240000

"BX" means box packaging, "RL" means tape-on-reel

"BX" means box packaging, "RL" means tape-on-reel

CH20M BUS-PROFIL TS35x7.5/1000

Support section for bus circuit board



- Support section for TS 35 x 7.5
- Length: 250, 500 or 750 mm

Ordering data

Type	Qty.	Order No.
CH20M BUS-PROFIL TS35x7.5/250	10	1248150000
CH20M BUS-PROFIL TS35x7.5/500	10	1248160000
CH20M BUS-PROFIL TS35x7.5/750	5	1248170000

Note: Length specification /XXX = 250, 500 or 750 mm. Other lengths available on request.

CH20M BUS-PROFIL TS35x15/1000

Support section for bus circuit board



- Support section for TS 35 x 15
- Length: 250, 500 or 750 mm

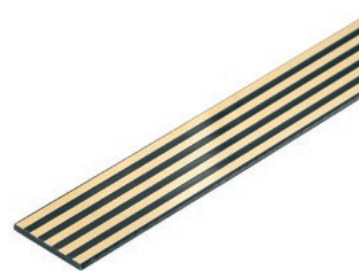
Ordering data

Type	Qty.	Order No.
CH20M BUS-PROFIL TS35x15/250	5	1248180000
CH20M BUS-PROFIL TS35x15/500	5	1248190000
CH20M BUS-PROFIL TS35x15/750	5	1248210000

Note: Length specification /XXX = 250, 500 or 750 mm. Other lengths available on request.

CH20M BUS 4.50/05 AU/1000

Bus PCB



- Bus circuit board for use on TS 35 x 7.5 and TS 35 x 15
- Length: 250, 500 or 750 mm
- Five conductor paths, gold-plated
- Electrical rating: 63 V AC, 5 A/conductor path

Ordering data

Type	Qty.	Order No.
CH20M BUS 4.50/05 AU/250	10	1248220000
CH20M BUS 4.50/05 AU/500	10	1248230000
CH20M BUS 4.50/05 AU/750	5	1248240000

Note: Length specification /XXX = 250, 500 or 750 mm. Other lengths available on request.

CH20M BUS-ADP TS35/1000

Cover plate



- Cover plate for DIN rail bus
- Length: 250, 500 or 750 mm

Ordering data

Type	Qty.	Order No.
CH20M BUS-ADP TS35/250	10	1248250000
CH20M BUS-ADP TS35/500	10	1248260000
CH20M BUS-ADP TS35/750	5	1248270000

Note: Length specification /XXX = 250, 500 or 750 mm. Other lengths available on request.

CH20M BUS-AP LI TS35x7.5 & 15

End plate



- End plate for DIN rail bus
- Fits on TS 35 x 7.5 and TS 35 x 15
- left

Ordering data

Type	Qty.	Order No.
CH20M BUS-AP LI TS35x7.5 & 15	50	1193160000

CH20M BUS-AP RE TS35x7.5 & 15

End plate



- End plate for DIN rail bus
- Fits on TS 35 x 7.5 and TS 35 x 15
- right

Ordering data

Type	Qty.	Order No.
CH20M BUS-AP RE TS35x7.5 & 15	50	1193170000

SET CH20M BUS 250MM TS 35X15

Set



- SET consists of one each of
 CH20M BUS 4.50/05 AU/250
 CH20M BUS-ADP TS 35/250
 CH20M BUS-AP LI TS 35X7.5 & 15
 CH20M BUS-AP RE TS 35X7.5 & 15
 CH20M BUS-PROFIL TS 35X15/250

Ordering data

Type	Qty.	Order No.
SET CH20M BUS 250MM TS 35X15	1	1335150000

SET CH20M BUS 250MM TS 35X7.5

Set



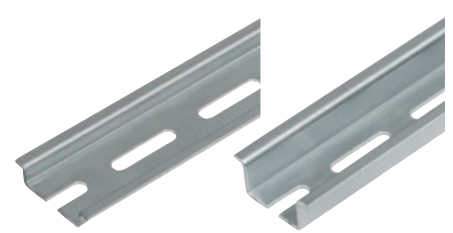
- SET consists of one each of
 CH20M BUS 4.50/05 AU/250
 CH20M BUS-ADP TS 35/250
 CH20M BUS-AP LI TS 35X7.5 & 15
 CH20M BUS-AP RE TS 35X7.5 & 15
 CH20M BUS-PROFIL TS 35X7.5/250

Ordering data

Type	Qty.	Order No.
SET CH20M BUS 250MM TS 35X7.5	1	1335140000

TS 35x7.5 / TS 35x15

Mounting rail



- Mounting rail with slot
- Steel, galvanised and passivated

Ordering data

Type	Qty.	Order No.
TS 35X7.5/LL 1M/ST/ZN	10	0514510000
TS 35X15/LL 1M/ST/ZN	10	0236510000

OMNIMATE® Housing MICROBOX / TERMINALBOX

The MICROBOX and TERMINALBOX series of small housings are the perfect solution for miniature sliced applications or for the protective circuitry used in connection with terminal blocks.

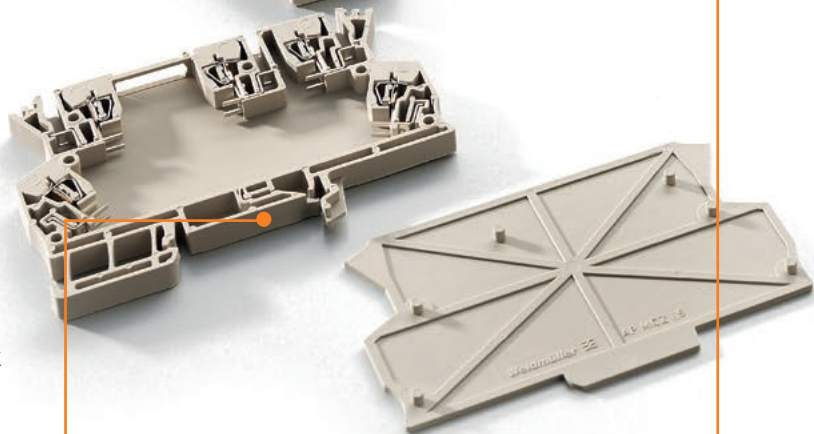
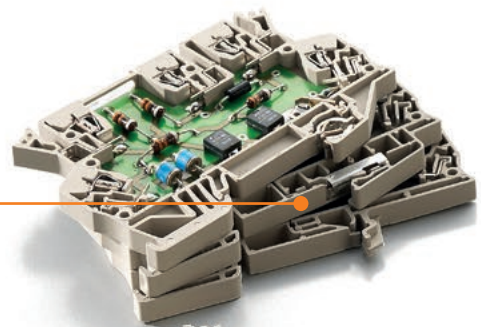
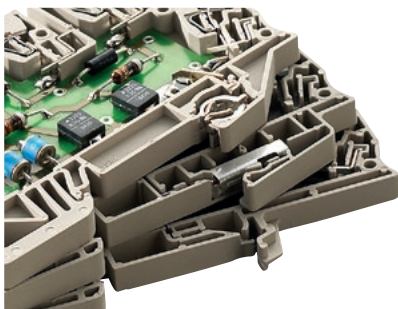
Up to 6 wires can be connected using the integrated (but high-performance) clamping-yoke screw or tension-clamp wire connection mechanisms.

Because of its closed construction, each individual MICROBOX is finger-safe. The TERMINALBOX can be aligned side-by-side without end or closed off using an end plate.

Pluggable cross-connectors from our terminal block line allow simple, safe power distribution of up to 32 A.

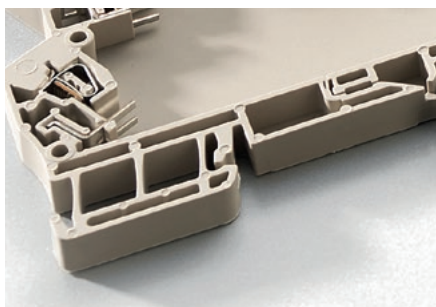
Secure contacts

The TERMINALBOX MCZ 1.5 can optionally be equipped with a contact element that automatically establishes contact with the rail when the housing is snapped on.



Compact integration

With a width of only 6.00 mm, the TERMINALBOX MCZ 1.5 provides enough space for a miniature circuit board and 5 tension clamp connection for wires up to 1.5 mm².



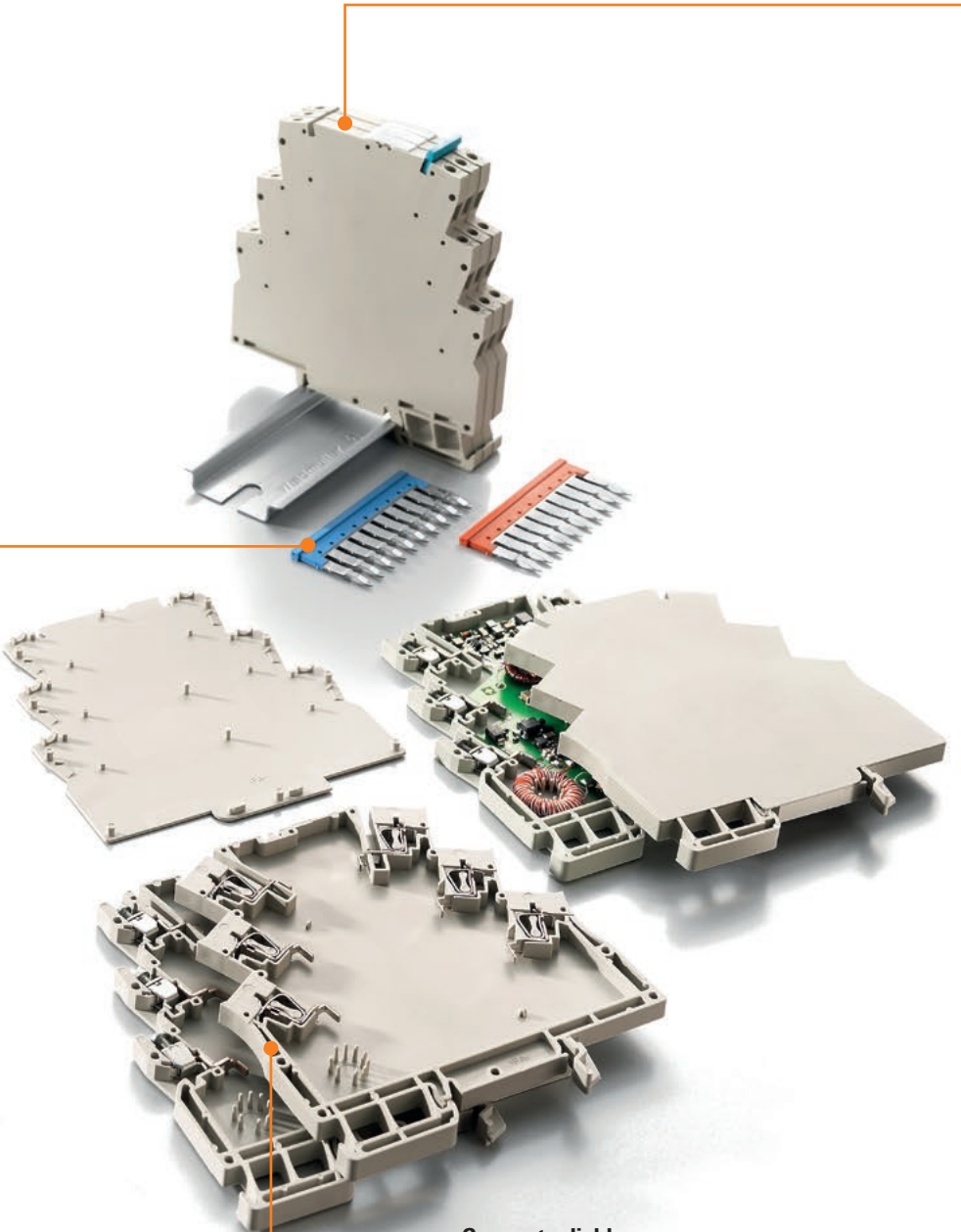
Seamlessly connected

High-power cross-connectors allow power (up to 32 A) to be easily and quickly distributed on up to three levels.



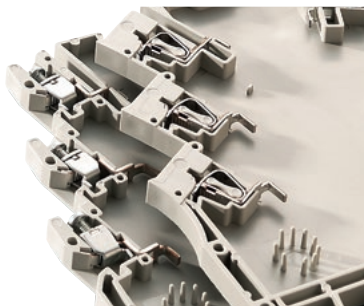
Easy to operate

The transparent hinged covers make adjustments simple (for example, using DIP switches). Labelling is also possible.



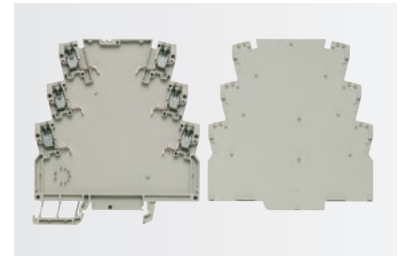
Connect reliably

The MICROBOX provides a permanent, secure clamp connection for 6 wires up to 2.5 mm² (MHS 6 with clamping yoke screw connection) or up to 1.5 mm² (MHZ 6 with tension-clamp spring connection).



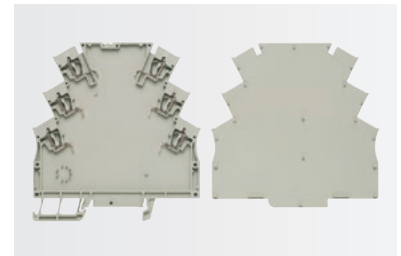
MICROBOX MHS 6

Miniature sliced-section housing in 6.1 mm width A total of 6 clamping yoke screw connections (for 2.5 mm² wires) can be manually or selectively wave soldered.



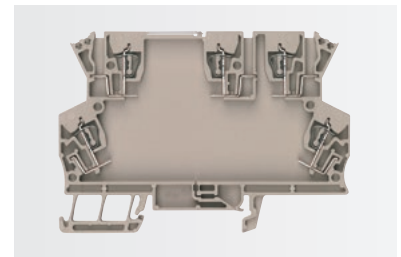
MICROBOX MHZ 6

Miniature sliced-section housing in 6.1 mm width A total of 6 tension clamp connection (for 1.5 mm² wires) can be manually or selectively wave soldered.



TERMINALBOX MCZ 1.5

Terminal-block-format open housings with tension clamp connection for wires up to 1.5 mm². A total of 5 connection elements can be manually or selectively wave soldered.



MCZ 1.5

The transparent hinged top plate is used for labelling and calibration. Maximum equipment level requires 2 short and 3 long current bars. The space available and the number of connections can be doubled using the frame. CAD drawings that ease the production of layouts and equipping of boards (details of blocked area, max. component heights, pads, etc.), are available on request. The MCZ housing kit consists of:

- 1 terminal holder
- 1 top plate
- 1-5 current bars with tension clamp
- 1 end plate (if required)

Technical data

General data	
Dimensions W x L x H (w. TS 35 x 7.5)	mm
No. of connections	total
Access for calibration	
Shielding	
Contact to the mounting rail	
Number of PCB per module	
PCB-connection	
Thickness of PCB	
Ingress protection class	
Tightening torque range	
Stripping length	
Pollution severity	
Material	
Flammability class UL 94	
Colour of insulating material	
Clampable conductors (H05V/H07V)	
Solid	mm ²
Flexible	mm ²
Max. conductor AWG	
Plug gauge to 60947-1	
Note	

Ordering data

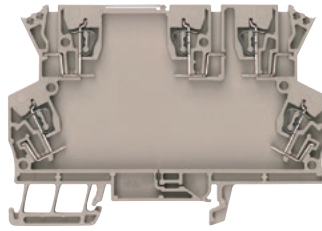
Individual parts	
For mounting rail TS 35	with connection element for connection element for mounting rail contact, for connection element
For mounting rail TS 32	with connection element
Frame for TS 35	
Frame for TS 35	for connection element
Frame for TS 32	
Top part	open closed
Current bars (w. tension clamp)	short version long version
Current bars	horizontal vertical
Clamp, yoke unit	clamp, yoke + screw
Screw	
Clamping yoke	
Mounting rail contact	
Housing cover	
Note	

Accessories

End plate	
Cross-connection	
Note	

MCZ 1.5

Tension clamp connection



6 / 91.3 / 63.5	
5	
Movable top plate	
not available	
Earthing-contact	
1	
soldered connection, directly	
1.0 (+ 0.2) mm	
IP 20	
6 mm	
3	
PA	
V0	
beige/black	
Screw connection	
Tension clamp connection	
	0.2...1.5
	0.2...1.5
	AWG 26...AWG 16
Note	

Type	Qty.	Order No.
MCZ 5	10	8857560000
GH MCZ1.5	1	2224220000
GH MCZUE1.5/UE	1	2312290000
RA MCZ1.5	25	2224240000
KOPL MCZ1.5	18	2224040000
SMSE KU FE MCZ 1.5	1	2224390000
SMSE LN FE MCZ 1.5	1	2224380000
SMSE FE MCZ 1.5/PE	100	1003280000
Note		

Type	Qty.	Order No.
AP MCZ1.5	50	8389030000
ZQV 4N/2 RT	60	1793950000
ZQV 4N/2 BL	60	1793960000
ZQV 4N/2 GE	60	1758250000
Note		
Full housing available as set on request.		

OMNIMATE® Housing RS

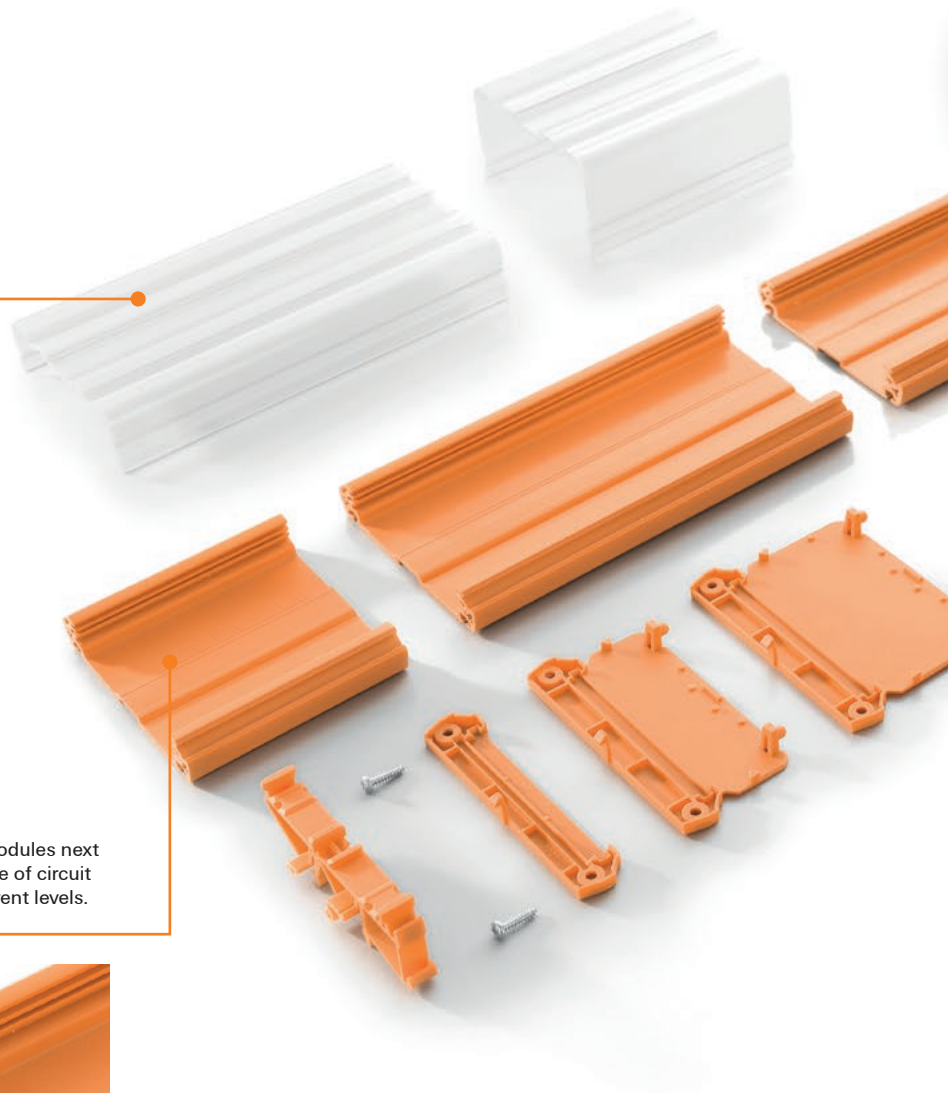
Profile housing

Flexible – more flexible – profile form

Build housing in profile form – the flexible modular system of coloured and transparent PVC profiles and carrier modules the perfect combination of any mounting utilising standard pitches and precisely cut to length, this creates the perfect balance between flexibility and efficiency: The modular approach is ideal for assemblies with high space requirements and is particularly suited for small quantities or variable widths.

Flexible covers

See-through covers in various heights protect assemblies even with high components safely.



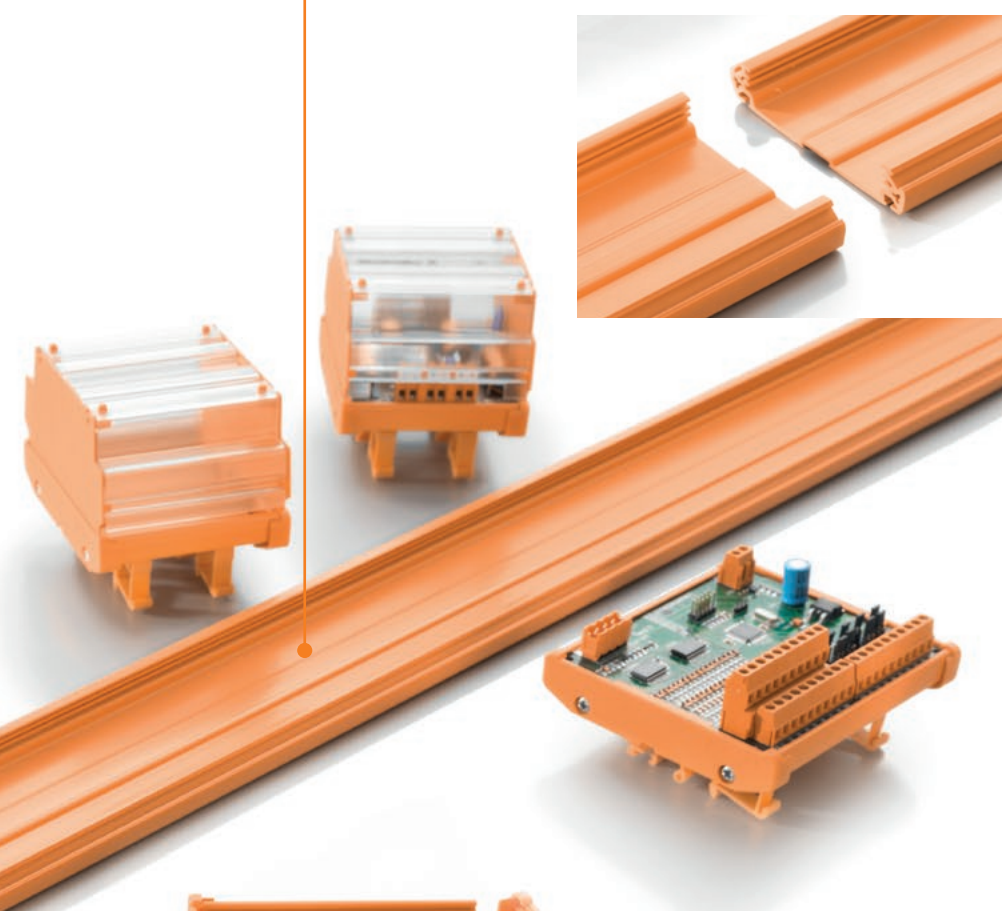
Flexible installation

Extruded profiles can take several modules next to each other. Depending on the type of circuit boards can be installed on two different levels.



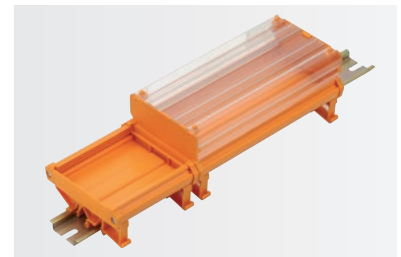
Flexible lengths

Cut, or joined together in a row: extruded profiles can be easily adjusted to the space requirements of every application.



Variable RS-profile housing

Variable, precision cut extruded profile with different height cover hoods allow maximum packing density even for large electronic sub-assemblies.



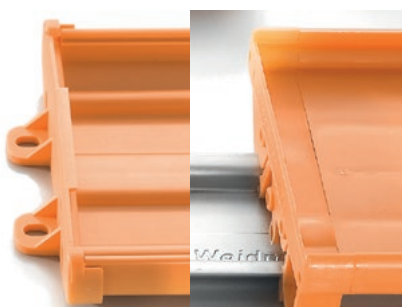
Modular RS-profile housing

Tool-free latching profiles with standard widths from 5 to 45 mm allow rapid assembly of tailor made solutions.



Flexible mounting

Mounting options: snapped onto the mounting rail or directly secured using screws.



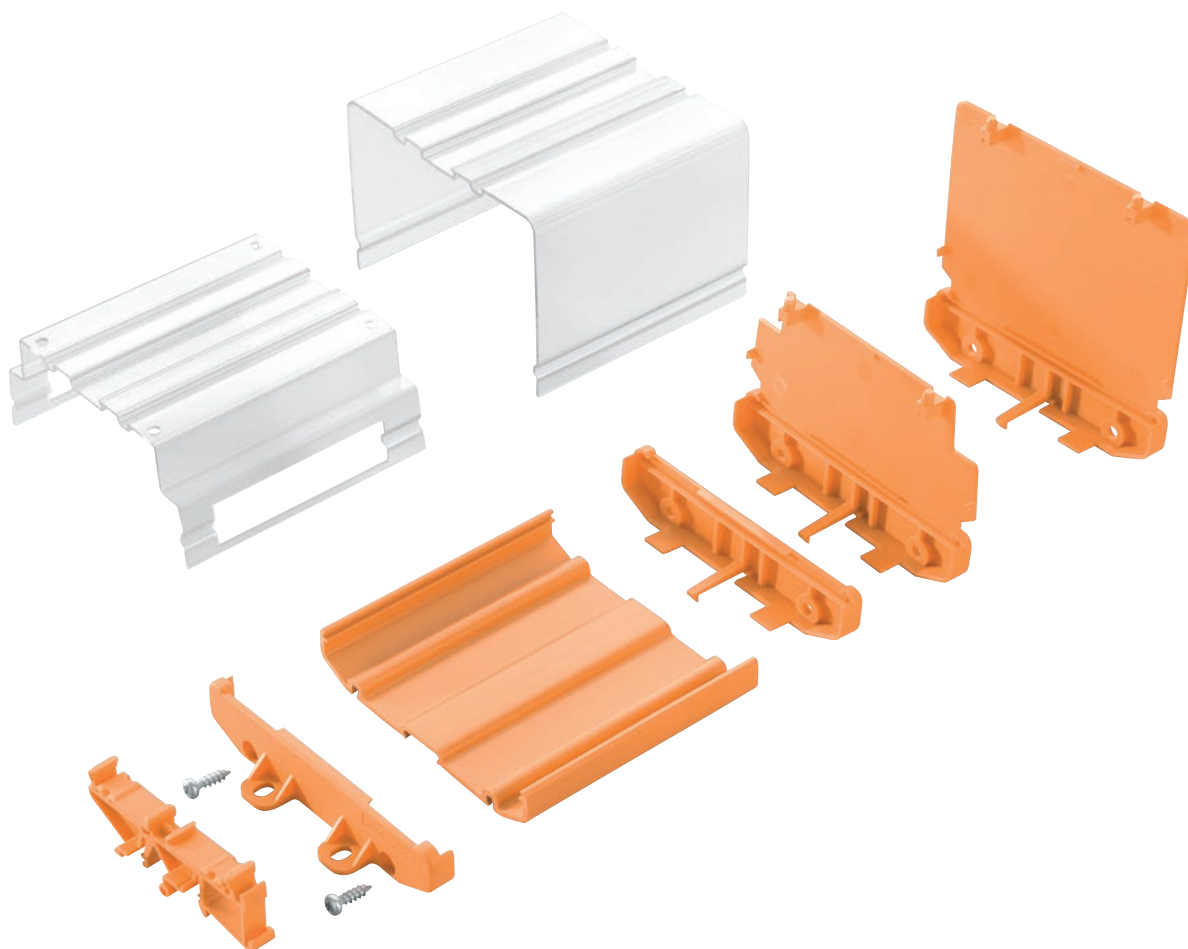
OMNIMATE® Housing RS

Profile housing

RS profile housings can be snapped on to DIN rails or mounted directly. They are available in six widths. The extruded profiles can be cut to length or joined together in modules and are ideal for low volume, special assemblies or test set-ups. Fitted transparent hoods are used to protect the components.

Width	Type	Construction/Width of circuit board	Catalogue pages	Colour scale ¹⁾
45.0 mm	RS 45	Variable / 42.0 mm	N.46	■ Similar to RAL 9011
70.0 mm	RS 70	Modular / 67.8 mm	N.47	■ Similar to RAL 7024
87.0 mm	RS 80	Variable / 67.8 mm	N.48	■ Similar to RAL 2000
86.0 mm	RS 90	Variable / 79.8 mm	N.49	
109.0 mm	RS 100	Variable / 100.0 mm	N.50	
130.8 mm	RS 122	Variable / 122.0 mm	N.51	

Note 1) Other colours on request



Housing variants

RS 45



RS 70



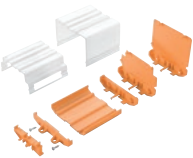
RS 80



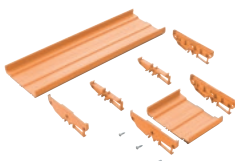
RS 90



RS 100



RS 122



Description/Type

RS extruded profile 45 mm, variable

Features:

- Width: 45 mm
- Circuit board width: 42 mm
- Number of circuit boards (max.): 1
- Protection class (max.): IP 00

Design options



- Can be shortened to any length
- Rail mounted
- Direct mount²⁾
- Machinable

RS extruded profile 70 mm, modular

Features:

- Width: 70 mm
- Circuit board width: 67.8 mm
- Number of circuit boards (max.): 1
- Protection class (max.): IP 00



- Can be aligned side-by-side without any tools
- Rail mounted

RS extruded profile 80 mm, variable

Features:

- Width: 87 mm
- Circuit board width: 67.8 mm
- Number of circuit boards (max.): 1
- Protection class (max.): IP 20
- Markable

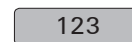


- Can be shortened to any length
- Rail mounted
- Direct mount²⁾
- Transparent hood (opt.)
- Machinable

RS extruded profile 90 mm, variable

Features:

- Width 86: mm
- Circuit board width: 79.8 mm
- Number of circuit boards (max.): 1
- Protection class (max.): IP 00

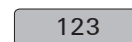


- Can be shortened to any length
- Rail mounted
- Direct mount²⁾
- Machinable

RS extruded profile 100 mm, variable

Features:

- Width 109: mm
- Circuit board width: 100 mm
- Number of circuit boards (max.): 1
- Protection class (max.): IP 20



- Can be shortened to any length
- Rail mounted
- Direct mount²⁾
- Transparent hood (opt.)
- Machinable

RS extruded profile 122 mm, variable

Features:

- Width: 130.8 mm
- Circuit board width: 122 mm
- Number of circuit boards (max.): 2
- Protection class (max.): IP 00



- Can be shortened to any length
- Rail mounted
- Machinable

pad printing, 123 markable, can be machine-worked (drilling/milling), ²⁾ Screw mount

RS 45

Depending on the end plate design, the profiles can be mounted directly or on rail

1. The rail-mountable assembly requires:

- 2 end plates for DIN-rail mounting
- 1 extruded profile
- 4 screws

2. Direct-mountable assembly requires:

- 2 end plates for direct mounting
- 1 extruded profile
- 4 screws

Description

B3 heights are available for cover profile and end plates:

TS-mounting:

TS 32 = 45 mm, TS 35x7.5 = 40.5 mm

Direct mounting: 24 mm

Dimensions of PCB

Thickness: 1.6 (±0.2) mm, width:

42 (+0.5) mm

Size of RS segment = PCB length - 4.5 mm

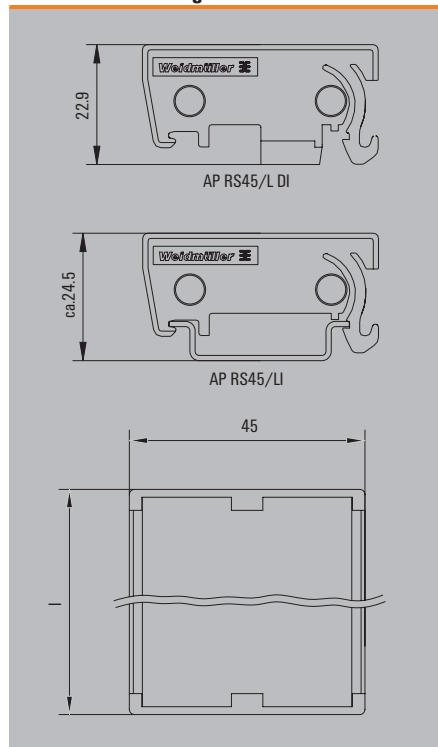
Size of ADP segment = PCB length - 1 mm

Example:

PCB length 160 mm,

RS = 155.5 mm, ADP = 159 mm

Dimensioned drawing



RS 45



Technical data

General data	
Number of PCB per module	1
Thickness of PCB	1.6 (± 0.2) mm
Material	PVC/PA
Flammability class UL 94	V2
Colour of insulating material	beige
Note	

Ordering data

Extruded profile	
2000 mm	orange
2000 mm	grey
1000 mm	grey
155 mm	orange
Intermediate piece	
5 mm	
15 mm	
25 mm	
30 mm	
45 mm	
End plate w. locking foot	
Without cover	grey, left version
	grey, right-hand version
	orange, left version
	orange, right-hand version

Locking foot	
	orange
	grey
With marking facilities	left version
	right version
Without marking facilities	left version
	right version
Central	Intermediate foot

End plate for direct mounting	
Without cover	grey, left version
	grey, right version
	orange
	grey
For medium-high cover profile	orange
	grey
For high cover profile	orange
	grey
End plate for mounting rail installation	
Without cover	orange
	grey
For medium-high cover profile	orange
	grey
For high cover profile	orange
	grey

Cover profile 1000 mm	Medium-high
	high
Screws	

Note

1
1.6 (± 0.2) mm
PVC/PA
V2
beige

Type	Qty.	Order No.
RF RS 45 OR 2000	VO 1	4340430000
PF RS 45 GR 2000	VO 1	4027750000
PF RS 45 GR 1000	VO 10	8140880000
AP 45/LI	V2 20	8143910000
AP 45/RE	V2 20	8143900000
AP 45/LI OR	V2 20	1011590000
AP 45/RE OR	V2 20	1011600000

AP 45/LI DI	V2 20	8140870000
AP 45/RE DI	V2 20	8140860000

ADP 1/HP1 1M	V2 1	0485200000
LKSC M2.9x13VZ	100	4011200000

Other lengths on request.

RS 80

Housing installation (plus 4 screws):
Rail mounted variant (rail mounted assembly)

- 2 end plates for rail mounted assembly
- 2 or more locking feet
- 1 extruded profile
- 1 cover profile (optional)

Direct mounting variant

- 2 end plates, direct mounting
- 1 extruded profile
- 1 cover profile (optional)

Description

3 heights are available for cover profile and end plates:

Rail mounting without cover:

TS 32 = 45 mm, TS 35x7.5 = 40.5 mm

Rail mounting with low cover:

TS 32 = 72 mm, TS 35x7.5 = 67.5 mm

Rail mounting with high cover:

TS 32 = 91 mm, TS 35x7.5 = 86.5 mm

Direct mounting without/low/high cover:

17 / 44 / 63 mm

Dimensions of PCB

Thickness: 1.6 (±0.2) mm, width:

67.8 (+0.2) mm

Size of RS segment = PCB length - 4.5 mm

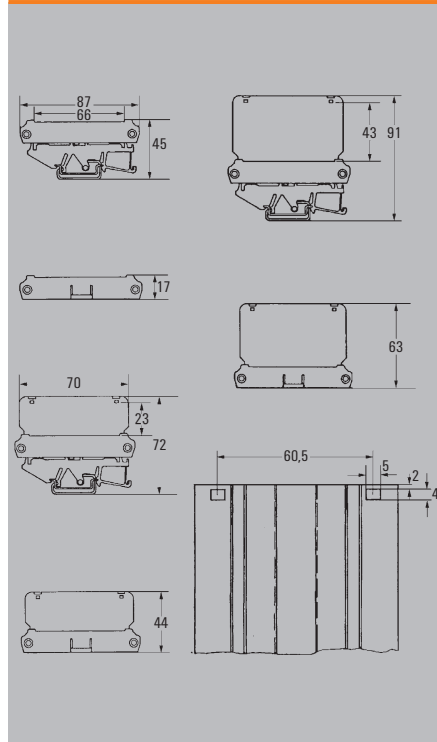
Size of ADP segment = PCB length - 2 mm

Example:

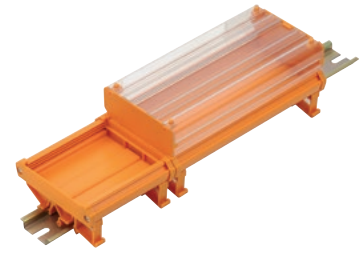
PCB length 160 mm

RS = 155.5 mm, ADP = 158 mm

Dimensioned drawing



RS 80



Technical data

General data	
Number of PCB per module	
Thickness of PCB	
Material	
Flammability class UL 94	
Colour of insulating material	
Note	

Ordering data

Extruded profile	
2000 mm	orange
2000 mm	grey
1000 mm	grey
155 mm	orange
Intermediate piece	
5 mm	
15 mm	
25 mm	
30 mm	
45 mm	
End plate w. locking foot	
Without cover	grey, left version grey, right version
Locking foot	
	orange grey
With marking facilities	left version right version
Without marking facilities	left version right version
Central	intermediate foot
End plate for direct mounting	
Without cover	grey, left version grey, right version orange grey
For medium-high cover profile	orange grey
For high cover profile	orange grey
End plate for mounting rail installation	
Without cover	orange grey
For medium-high cover profile	orange grey
For high cover profile	orange grey

Type	Qty.	Order No.
PF RS 80 OR 2000MM	VO 1	4157440000
PF RS 80 GR 2000MM	VO 1	4183130000
AP RF80 LI	V2 20	8156210000
AP RF80 RE	V2 20	8156200000
RF 180	20	1324460000
RF 180 GR	V2 20	1773400000

AP 80 D	V2 20	1324360000
AP 85 D	V2 20	1411060000
AP 86 D	V2 20	1411160000
AP 80	V2 20	1324260000
AP 80	V2 20	8320300000
AP 85	V2 20	1410860000
AP 86	20	1410960000
ADP 5	V2 1	4167150000
ADP 6	V2 1	4167160000
LKSC M2.9x13VZ	100	4011200000

Cover profile	1000 mm	Medium-high
	1000 mm	high
Screws		
Note		

1
1.6 (± 0.2) mm
PVC/PA
VO
orange

Type	Qty.	Order No.
AP RF80 LI	V2 20	8156210000
AP RF80 RE	V2 20	8156200000
RF 180	20	1324460000
RF 180 GR	V2 20	1773400000

AP 80 D	V2 20	1324360000
AP 85 D	V2 20	1411060000
AP 86 D	V2 20	1411160000
AP 80	V2 20	1324260000
AP 80	V2 20	8320300000
AP 85	V2 20	1410860000
AP 86	20	1410960000
ADP 5	V2 1	4167150000
ADP 6	V2 1	4167160000
LKSC M2.9x13VZ	100	4011200000

Cover profile	1000 mm	Medium-high
	1000 mm	high
Screws		
Note		

Other lengths on request.

RS 90

Housing installation (plus 4 screws):

- 2 end plates
- 2 or more locking feet
- 1 extruded profile

Description

Dimensions of PCB

Thickness: 1.6 (±0.2) mm, width: 79.8 (+0.2) mm

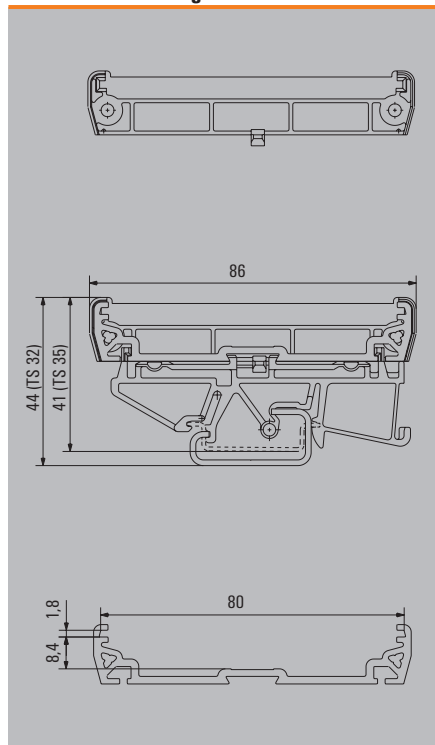
Size of RS segment = PCB length - 4.5 mm

Example:

PCB length 160 mm

RS = 155.5 mm

Dimensioned drawing



2596870000

Technical data

General data

Number of PCB per module
Thickness of PCB
Material
Flammability class UL 94
Colour of insulating material

Note

Ordering data

Extruded profile

2000 mm	orange
2000 mm	grey
1000 mm	grey
155 mm	orange

Intermediate piece

5 mm
15 mm
25 mm
30 mm
45 mm

End plate w. locking foot

Without cover	grey, left version
	grey, right version

Locking foot

	orange
	grey
With marking facilities	left version
	right version
Without marking facilities	left version
	right version
Central	intermediate foot

End plate for direct mounting

Without cover	grey, left version
	grey, right version
	orange
	grey
For medium-high cover profile	orange
	grey
For high cover profile	orange
	grey

End plate for mounting rail installation

Without cover	orange
	grey
For medium-high cover profile	orange
	grey
For high cover profile	orange
	grey

Cover profile	Medium-high
	high

Screws	LKSC M2.9x13VZ
--------	----------------

Note

RS 90



1
1.6 (± 0.2) mm
PVC/PA
VO
orange

Type	Qty.	Order No.
PF RS 90 OR 2000MM	VO 1	4053240000
PF RS 90 GR 2000MM	VO 1	4051810000

RF 180	V2	20	1324460000
RF 180 GR	V2	20	1773400000

AP 90 OR	V2	20	1961880000
AP 90 GR	V2	20	1961890000

LKSC M2.9x13VZ	100	4011200000
----------------	-----	------------

Other lengths on request.

RS 100

Housing installation (plus 4 screws):
 Rail mounted variant (rail mounted assembly)

- 2 end plates for rail mounted assembly
- 2 or more locking feet
- 1 extruded profile
- 1 cover profile (optional)

Direct mounting variant

- 2 end plates, direct mounting
- 1 extruded profile
- 1 cover profile (optional)

Description

3 heights are available for cover profile and end plates:

Rail mounting without cover:

TS 32 = 45 mm, TS 35x7.5 = 40.5 mm

Rail mounting with low cover:

TS 32 = 89 mm, TS 35x7.5 = 84.5 mm

Rail mounting with high cover:

TS 32 = 121 mm, TS 35x7.5 = 116.5 mm

Direct mounting without/low/high cover:

24 / 69 / 99 mm

Dimensions of PCB

Thickness: 1.6 (±0.2) mm, width:

100 (+0.5) mm

Size of RS segment = PCB length - 4.5 mm

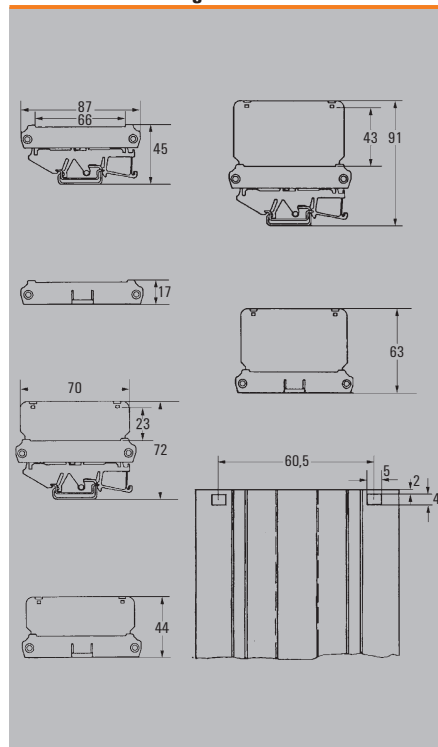
Size of ADP segment = PCB length - 1 mm

Example:

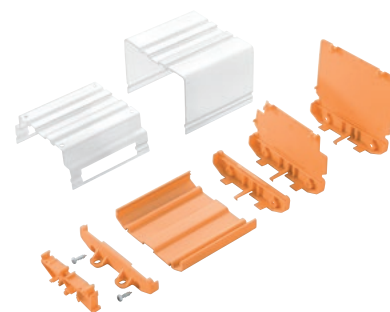
PCB length 160 mm

RS = 155.5 mm, ADP = 159 mm

Dimensioned drawing



RS 100



Technical data

General data	
Number of PCB per module	
Thickness of PCB	
Material	
Flammability class UL 94	
Colour of insulating material	
Note	

Ordering data

Extruded profile	
2000 mm	orange
2000 mm	grey
1000 mm	grey
155 mm	orange
Intermediate piece	
5 mm	
15 mm	
25 mm	
30 mm	
45 mm	
End plate w. locking foot	
Without cover	grey, left version grey, right version
Locking foot	
	orange grey
With marking facilities	left version right version
Without marking facilities	left version right version
Central	intermediate foot
End plate for direct mounting	
Without cover	grey, left version grey, right version orange grey
For medium-high cover profile	orange grey
For high cover profile	orange grey
End plate for mounting rail installation	
Without cover	orange grey
For medium-high cover profile	orange grey
For high cover profile	orange grey
Cover profile 2000 mm	Medium-high
2000 mm	high
Screws	
Note	

1		
1,6 (± 0.2) mm		
PVC/PA		
VO		
orange / grey (Black on request)		

Type	Qty.	Order No.
PF RS 100 OR 2000MM A.1 VO	1	4144870000
PF RS 100 GR 2000MM A.1 VO	1	4010870000
PF RS 100 A.1 OR 155.5 VO	25	4148400000
RF 180	V2 20	1324460000
RF 180 GR	V2 20	1773400000
AP 100 D	V2 20	1185160000
AP 110 D	V2 10	1185360000
AP 111 D	V2 10	1185560000
AP 100	V2 20	1185060000
AP 110	V2 10	1185260000
AP 111	V2 10	1185460000
ADP 10	V2 1	4169320000
ADP 11	V2 1	4169330000
PTSC KB40X14	100	4019420000
Other lengths on request.		

MTA

Snap-on foot for terminal rail



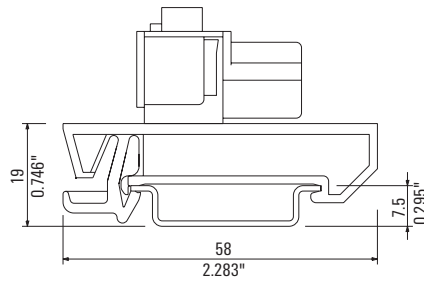
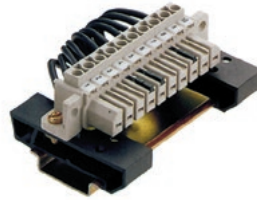
The MTA 45 mounting adapter enables many different modules to be securely attached to a terminal rail. The adapter, made of fibreglass-reinforced polyamide, ensures high stability and secure fixity to the terminal rail. It is assembled by simply clipping on, and disassembled by pushing up and tilting the module. No tools are required for this.

Ordering data

Snap-on foot for TS 35		Black
Type	Qty.	Order No.
MTA 30 BK	45	1168970000
MTA 45 BK	30	1962250000

MOFU

Mounting foot



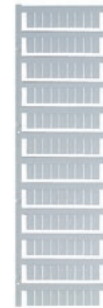
Ordering data

Colour		Black
Type	Qty.	Order No.
Mounting foot Mofu	20	0646210000

WS 10/5

WS 12/5

MultiCard marking



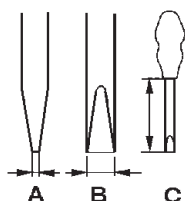
- WS 10/5 = 10 mm long x 5 mm wide
- WS 12/5 = 12 mm long x 5 mm wide
- Delivered as MultiCard 5 mats with 144 markers

Ordering data

Type	Length mm	Order No.
WS 10/5	10	1635000000
WS 12/5	12	1609860000

SDI

VDE-insulated slotted screwdriver



VDE-insulated slotted screwdriver, SDI

- DIN 7437, ISO 2380/2
- Output acc. to DIN 5264, ISO 2380/1
- SoftFinish® handle

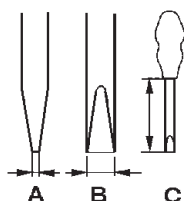


Ordering data

Type	Dims (mm)	A	B	C	Order No.
SDI		0,4	2,5	75	9008370000
SDI		0,5	3,0	100	9008380000
SDI		0,6	3,5	100	9008390000
SDI		0,8	4,0	100	9008400000
SDI		1,0	4,5	125	9008910000
SDI		1,0	5,5	125	9008410000
SDI		1,2	6,5	150	9008420000
SDI		1,6	8,0	175	9008430000

SD

Slotted screwdriver with round blade



Slotted screwdriver with round blade, SD

- DIN 5265, ISO 2380/2
- Output acc. to DIN 5264, ISO 2380/1
- ChromTop tip
- SoftFinish® handle

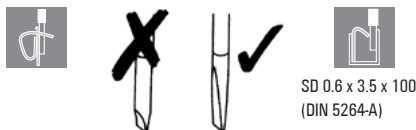


Ordering data

Type	Dims (mm)	A	B	C	Order No.
SD		0,4	2,5	75	9009030000
SD		0,5	3,0	80	9008320000
SD		0,6	3,5	100	9008330000
SD		0,8	4,0	100	9008340000
SD		0,8	4,5	125	9009020000
SD		1,0	5,5	150	9008350000
SD		1,2	6,5	150	9009010000

Tension clamp terminal tool

Tool for PCB terminals with tension clamp connections



You do not need any special tool to connect or disconnect our tension clamp connections. The opening is designed to accommodate a standard 0.6 x 3.5 x 100 screwdriver to DIN 5264-A (with flat blade), also available from Weidmüller.

SDK PH

Crosshead screwdriver



Crosshead screwdriver PH (Philips)

- SDK PH DIN 5262, ISO 8764/2-PH
- Output acc. to ISO 8764-PH
- ChromTop tip
- SoftFinish® grip



Crosshead screwdriver PZ (PoziDrive)

- SDK PZ DIN 5262, ISO 8764/2-PZ
- Output acc. to ISO 8764-PZ
- ChromTop tip
- SoftFinish® grip



Ordering data PH

Type	Dims (mm)	A	B	C	Order No.
SDK PH0	0			60	9008470000
SDK PH1	1			80	9008480000
SDK PH2	2			100	9008490000
SDK PH3	3			150	9008500000

Ordering data PZ

Type	Dims (mm)	A	B	C	Order No.
SDK PZ1	1			80	9008530000
SDK PZ2	2			100	9008540000
SDK PZ3	3			150	9008550000

Service and support

Service and support	Our expertise for your requirements	V.2
	Benefit from optimum support when using our products	V.4

Our expertise for your requirements

Service connects - worldwide

Automation technology functions are becoming more complex in a globally-oriented world facing ambitious targets in terms of energy efficiency and smart production. We are your equal partners for the best connections in Industrial Connectivity. Our worldwide network of industrial managers for machine construction, process automation, energy and traffic engineering and for device manufacturers know the challenges you face and can support you in your specific applications.

Training course on technologies, applications and the detailed functionality of our products is available to you locally or at our headquarter in Germany. Our personal support can answer any questions reliably and expertly. Our online services are available 365 day a year around the clock to provide answers to your questions on our products - from user documentation through software to planning tools.

In short: Weidmüller's global service combines our expertise with your requirements.





Professional advice on planning

Our global network of industrial managers has extensive experience in automation technology and electrical connectivity. This expertise allows us to assist you with advice and planning support in order to work with you on resolving the everyday challenges of your applications.



Technology and application training

Industrial automation is moving towards smart production. It faces the challenges of new technologies and applications. Our varied range of training courses develops this knowledge further or provides more in-depth information on the handling of our products and solutions. Our seminars are modular and can be customised. We can train you and your employees in our academy, on your premises if you wish or online in our webinars at any time.



Customised installation

The challenges for the future are reducing costs and increasing efficiency. This requires intelligent, individual solutions which are tailored to your requirements. We can offer a highly qualified customer-specific production service in our application centre. Whether you need modified products, pre-assembled terminal rails or complete small cabinets: we produce the solutions developed for your application quickly and flexibly.

Online support and downloads

Exactly the right help and information on our solutions and products

If our products are used in your automation technology applications, you need the best possible individual support, from planning through installation to operation.

For every stage of your application, we can offer the right tools and information for our products and solutions. Up-to-date, uncomplicated, comprehensive and around the clock via our service portal at www.weidmueller.com/service.

Fast access to our support and services is available via Weidmüller webcodes. Simply select the service you want on the right hand side, then enter the webcode made up of five digits with a preceding hashtag into the search field in the top right corner of www.weidmueller.com and it will bring up the details you need.



Online and personal support

From planning through installation to operation, we can provide exactly the right help and information for each step of your application based on our solutions and products: up-to-date, uncomplicated and comprehensive, around the clock, online or in person.



Visit our website
for more information

www.weidmueller.com/service

Let's connect.

Engineering Support

As a developer, you need simple processes and system-wide tools. We support you in your development environment with comprehensive data, software tools and interfaces, product selection guides and development samples.

Technical data and downloads

Download all the documents and software relating to our products by simply entering the item number. You can also view our Online Catalogue and research the technical properties of our products.

Commercial support

Integrate our product data into your commercial system using standardised interfaces or familiarise yourself with the wide range of products in our technical catalogues.



Engineering data
Webcode #01219



Find downloads
Webcode #11379



Electronic catalogue in BMECat format and other formats
Webcode #11378



Product software
Webcode #01212



Products in the Online Catalogue
Webcode #01217



Access our Webshop
Webcode #11382



Whitepaper for device connectivity
Webcode #11359



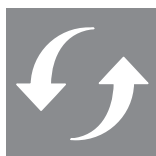
Security Advisory Board
Webcode #11424



Technical catalogue in PDF Format
Webcode #01218



Engineering software
Webcode #11377



Product Change Notification
Webcode #11425



Product configurators, product selection guides and samples
Webcode #01214

More offers in online support and downloads

Not found what you are looking for? We have even more to offer you in online support and downloads.



Approvals, certificates and declaration of conformity
Webcode #11374

Here you will find information on the CE declaration of conformity, on RoHS and REACH and other company related certificates and approvals.

