

Installation in conformity with standards

With precisely matched accessories

When mounting terminal blocks and assembling panels, you must always be able to rely on accessories fitting perfectly. Only then do the processes run smoothly and therefore productively. The requirements placed on terminal rails, busbars, as well as cover plates and support brackets, are correspondingly high. They have to comply with numerous standards and safety regulations.

Our promise

Our components are aligned to each other right down to the finest detail and hence make installation easier for you.

Information and ordering data for mounting accessories is available to you in our online catalogue. The webcode #01229 entered into the search screen of our website takes you directly into the Klippon® Connect area.

Terminal rails

Terminal and top-hat rails for component mounting and end brackets are important for holding and insulating the components. Depending on the application area, we offer terminal rails made of steel, stainless steel, aluminium, copper or plastic.

Stainless steel

Stainless steel is a collective term for all types of steel (alloys) with a high degree of purity and corrosion resistance.

Aluminium

Aluminium has the second best electrical conductivity after copper. One advantage is low weight, another is outstanding corrosion protection.

Copper

Copper has the best electrical conductivity of all metals used. The copper rail has the highest short-circuit protection.

Plastic

Plastic terminal rails have insulating properties and are very light. They can be used where clearance and creepage distances to the support bracket cannot be achieved with standard terminal rails.

Steel

Steel terminal rails are the most widespread on the market. Among metal terminal rails, they have the lowest short-circuit protection, similar to stainless steel.

Use as PE conductors or PEN busbars

Under certain circumstances, you can also use terminal rails as bus bars for protective conductors (PE conductors) or PEN conductors. The Weidmüller PE terminal blocks with spring and screw connections fulfil the requirements for PE conductors defined in IEC 60 947-7-2. According to VDE 0100 Part 540, protective earth conductors and neutral conductors with wire cross-sections above 10 mm² may be combined to form a conductor abbreviated as PEN.

Our installation tip

If a terminal rail is used as a PEN busbar, the following criteria have to be observed:

- Only profiles made of E-Cu or aluminium are permissible
- Short-circuit currents and thermal rated currents
- Insulate terminal rails with the "protective insulation" protective measure



Busbars

In the case of switchgear and control systems it, may be necessary to bring the neutral and PE conductor together on busbars. They offer the possibility of connecting a large number of conductors (on 1 m rails up to 70 conductors) with a low space requirement – either via a pressure piece or a clamping yoke. The SH rail support (which can also be arranged between the clamping yokes for longer bar) serves for fixing purposes. If the clamping yoke is used as protective earth connection, we can optionally supply it with green-yellow or as neutral conductor with blue insulation cap.

Cover profiles and support brackets

Several safety regulations, such as the accident prevention regulation “Electrical Installations and Equipment” (VGB 4) and VDE 0106 Part 100/3.83, require from you that active parts of electrical equipment are protected against direct touching. Our cover profiles with associated support brackets may be used for the most common terminal sizes. The support brackets can be arranged at the end or along the the terminal strip. They can be fastened to TS 32, TS 35 or TS 15 terminal rails.

Our installation tip

- In order to combine neutral or protective earth conductors at a central point, the ZB clamping yoke can be used together advantageously with the 10 × 3 or 6 × 6 busbars
- The ZBE 6 can be retroactively swivelled on to the busbars

Our installation tip

- Linear intervals of the support brackets: the linear measure of the ADP 1, 2 and 3 between the support brackets should not significantly exceed 300 mm
- The cover profile is also snapped on to tags at the sides; extra tightness is achieved with pegs on the support brackets for sealing purposes
- The transparent design of the profiles allows terminals with accessories and marking to be identified at any time. Additional markings, e.g. from groups, can also be applied

Mounting accessories – Busbars

Busbars, unslotted



SSch

Type	Material	Cross-section	Length	Rated current	Qty.	Order No.
SSCH 10X3X1000 CU/SN	Copper	10...3 mm	1000 mm	140 A	1	0348900000
SSCH 10X3X1000 MS/BK	Brass	10...3 mm	1000 mm	100 A	1	0259800000
SSCH 10X3X1000 ST/ZN	Steel	10...3 mm	1000 mm		1	0438000000
SSCH 15X6X1000 CU/SN	Copper	15...6 mm	1000 mm	265 A	1	0357400000
SSCH 6X6X1000 CU/SN	Copper	6...6 mm	1000 mm	140 A	1	0571300000
SSCH 10X3X2000 CU VERZ.	Copper	10...3 mm	2000 mm		1	1397000000

Busbars, slotted



NSch / ESch

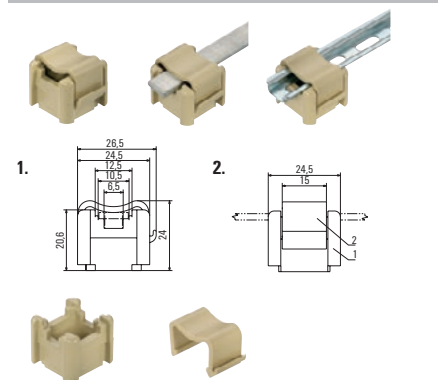
Type	Material	Cross-section	Length	Rated current	Qty.	Order No.
ESCH 1 M	Steel	12...2 mm	1000 mm	24 A	1	0280300000
NSCH 1M	Copper	15...2 mm	1000 mm	24 A	1	0280200000
NSCH 2M	Copper	15...2 mm	2025 mm	24 A	2	1313600000
Pressure piece					Qty.	Order No.
DKSUE NSCH/ESCH					100	0280100000
Clamping screw						
BFSC M5X8 Schlitz					100	0296700000

Technical data

Solid	...
Stripping length	
Cable lug to DIN 46234	
Current	

Rail support

With yoke and base

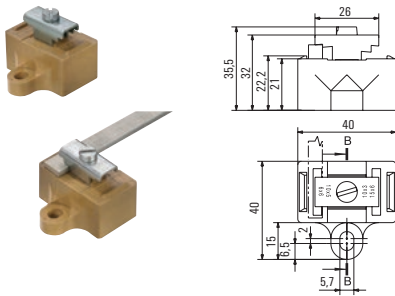


SH 1

Type	Width	Height	Depth	Qty.	Order No.	
SH 1	26 mm	24.5 mm	24 mm	20	0299860000	
Individual parts					Qty.	Order No.
SO SH1					20	0401460000
KLBUE SH1					20	0635960000
Screwable cross-connection						
BFSC M4X9T					100	0103300000
BFSC M4X30					50	0267100000
SH 1: for busbar cross-section 10 x 3, 6 x 6, 15 x 2, 12 x 2, 15 x 2, 15 x 6						

Rail support

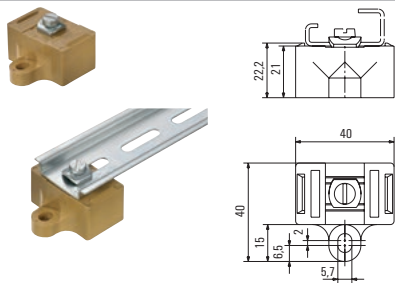
With metal bridge



SH 2S

Type	Width	Height	Depth	Qty.	Order No.
SH 2 S	40 mm	40 mm	35.5 mm	10	0641720000
For busbar cross-section 10 x 3, 6 x 6, 10 x 5, 15 x 6					

Rail support

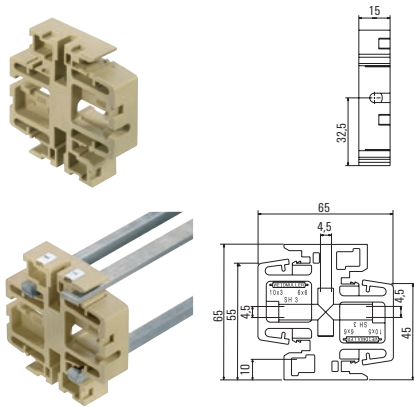


SH 2

Type	Width	Height	Depth	Qty.	Order No.
SH 2	40 mm	40 mm	25 mm	10	0494920000
The arrangement of mounting rails in totally insulated facilities					

Rail support

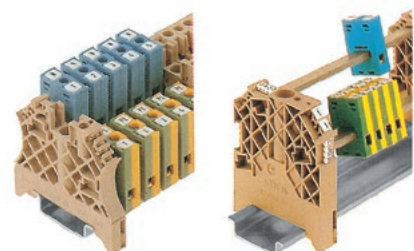
With metal bridge



SH 3

Type	Width	Height	Depth	Qty.	Order No.
SH 3	65 mm	15 mm	65 mm	10	0556660000
For busbar cross-section 10 x 3, 6 x 6, 10 x 5					

Rail support



WEW

Type	Width	Height	Depth	Qty.	Order No.
Polyamide with fibre glass, screwable					
WEW 35/1	12 mm	56 mm	62.5 mm	50	1059000000
WEW 35/2	8 mm	56 mm	46.5 mm	100	1061200000
WEW 35/1 GR	12 mm	56 mm	62.5 mm	50	1227890000
WEW 35/1 SW	12 mm	56 mm	63 mm	50	1162600000
WEW 35/2 GR 7042	8 mm	56 mm	46.5 mm	100	1859200000
WEW 35/2 SW	8 mm	56 mm	47 mm	100	1061210000
For busbar cross-section 10 x 3, 6 x 6					

Safe current tapping of busbar systems

Variable and finger-safe busbar tap terminal WBBD 16

In all industrial sectors, the safety of personnel and machines is of utmost importance. Finger-safe solutions are therefore the first choice for busbars too.

Our new busbar tap terminal WBBD 16 has two outputs. So it is currently the most compact finger-safe solution for conductor cross-sections from 1.5 to 16 mm². The safe and robust design enables easy current tapping on busbars from 3 to 10 mm.

Your special advantages:

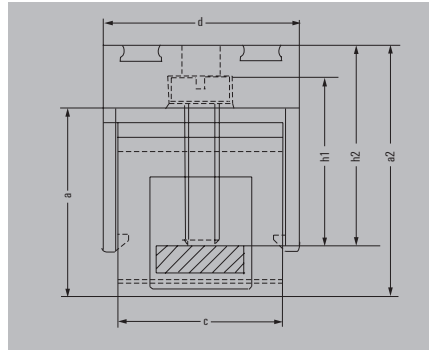
- Finger-safe design
- High packing density
- Two outputs per terminal
- Variable application for busbars from 3 mm to 10 mm



Technical data

Type	Rated voltage	Rated current	Clamping range, min. / max.	Colour code	Order No.	Qty.
WBBD 16 GY	690 V	114 A	1...16 mm ²	grey	2603840000	12
WBBD 16 BL	690 V	114 A	1...16 mm ²	blue	2603850000	12
WBBD 16 GN	690 V	114 A	1...16 mm ²	green	2603860000	12

Clamping yoke, uninsulated



Tightening torques for clamping screws according to IEC 60947-1

Products with screw with slotted head		
Thread	Tightening torque	
	Steel screws	A 2/A 4-80
	[Nm]	[Nm]
M 2	0.2...0.35	0.2...0.35
M 2.5	0.4...0.8	0.4...0.8
M 3	0.5...1.0	0.5...1.0
M 3.5	0.8...1.6	0.8...1.6
M 4	1.2...2.4	...
M 5	2.0...4.0	...
M 6	2.5...5.0	...

for busbar 10 x 3 mm



Solid	0.5...6 mm ²
Flexible	0.5...4 mm ²
Stranded	...
Clamping screw	M 3
Stripping length	16 mm

for busbar 10 x 3 mm

For subsequently slewing-in



Solid	1...10 mm ²
Flexible	1.5...10 mm ²
Stranded	...
Clamping screw	M 4
Stripping length	19 mm

for busbar 10 x 3 mm

Also for 10 x 5 mm busbars



Solid	1.5...10 mm ²
Flexible	2.5...10 mm ²
Stranded	...
Clamping screw	M 4
Stripping length	19 mm

for busbar 10 x 3 mm



Solid	2.5...16 mm ²
Flexible	2.5...16 mm ²
Stranded	16...25 mm ²
Clamping screw	M 4
Stripping length	16 mm

for busbar 10 x 3 mm



Solid	16...16 mm ²
Flexible	16...35 mm ²
Stranded	...
Clamping screw	M 6
Stripping length	19 mm

for busbar 6 x 6 mm



Solid	0.5...6 mm ²
Flexible	0.5...4 mm ²
Stranded	...
Clamping screw	M 3
Stripping length	16 mm

for busbar 6 x 6 mm



Solid	2.5...16 mm ²
Flexible	2.5...16 mm ²
Stranded	16...25 mm ²
Clamping screw	M 4
Stripping length	12 mm

ZB 4

Type	Colour	Width	Height	Depth	Qty.	Order No.
ZB 4	Silver	5.3 mm	15.5 mm	16 mm	50	0316500000
IK 4 BL ZB4	Blue	6 mm	19 mm	14.5 mm	50	0475480000
IK 4 GG ZB4	Yellow, Green	6 mm	19 mm	14.5 mm	50	0475460000

ZBE 6

Type	Colour	Width	Height	Depth	Qty.	Order No.
ZBE 6	Silver	8 mm	19 mm	28 mm	50	0459500000
IK 6 GG ZBE6K	Yellow, Green	7.8 mm	22.5 mm		50	0526060000

ZB 10

Type	Colour	Width	Height	Depth	Qty.	Order No.
ZB 10 F.10X3/10X5/10X10	Silver	8 mm	19.5 mm	29.1 mm	50	1261300000

ZB 16

Type	Colour	Width	Height	Depth	Qty.	Order No.
ZB 16 ZKSC	Silver	10 mm	16 mm	24 mm	50	0316600000
IK 16/ZB16 BL	Blue	9 mm	19 mm	20 mm	50	0502980000
IK 16/ZB16 GG	Yellow, Green	9 mm	19 mm	20 mm	50	0502960000

ZB 35

Type	Colour	Width	Height	Depth	Qty.	Order No.
ZB 35/M6X16	Silver	14 mm	18 mm	34 mm	20	0266500000
IK 35/ZB35 BL	Blue	14 mm	32 mm	8.6 mm	50	0502780000

ZB 4/6

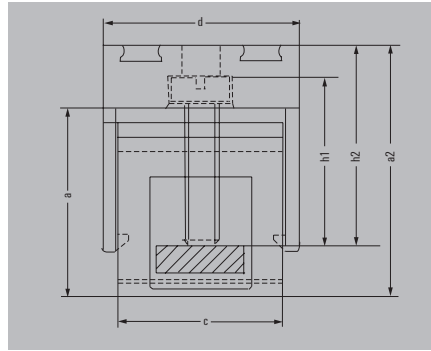
Type	Colour	Width	Height	Depth	Qty.	Order No.
ZB 4/6	Silver	5.3 mm	12 mm	20 mm	50	0556700000

ZB 16/6

Type	Colour	Width	Height	Depth	Qty.	Order No.
ZB 16/6	Silver	10 mm	12.5 mm	30.7 mm	50	0556800000

Mounting accessories – Busbars

Clamping yoke, insulated



for busbar 10 x 3 mm



Solid	0.5...6 mm ²
Flexible	...
Stranded	...
Clamping screw	M 3
Stripping length	16 mm

for busbar 10 x 3 mm

For subsequently slewing-in



Solid	1...10 mm ²
Flexible	1.5...10 mm ²
Stranded	...
Clamping screw	M 4
Stripping length	19 mm

for busbar 10 x 3 mm



Solid	2.5...16 mm ²
Flexible	2.5...16 mm ²
Stranded	16...25 mm ²
Clamping screw	M 4
Stripping length	16 mm

for busbar 10 x 3 mm



Solid	16...16 mm ²
Flexible	16...35 mm ²
Stranded	...
Clamping screw	M 6
Stripping length	19 mm

for busbar 10 x 3 mm

Tension clamp connection



Solid	0.5...4 mm ²
Flexible	0.5...2.5 mm ²
Stranded	...
Clamping screw	
Stripping length	10 mm

for busbar 6 x 6 mm



Solid	0.5...6 mm ²
Flexible	0.5...4 mm ²
Stranded	...
Clamping screw	M 3
Stripping length	16 mm

for busbar 6 x 6 mm



Solid	2.5...16 mm ²
Flexible	2.5...16 mm ²
Stranded	16...25 mm ²
Clamping screw	M 4
Stripping length	12 mm

ZB 4

Type	Colour	Width	Height	Depth	Qty.	Order No.
ZB 4G BL	Blue	7.4 mm	19.5 mm	27 mm	50	0322180000
ZB 4G GN/GE	Yellow, Green	7.4 mm	19.5 mm	27 mm	50	0322160000
ZB 4G SW	Black	7.4 mm	19.5 mm	27 mm	50	0322110000
ZB 4K BL	Blue	6 mm	19 mm	20.4 mm	50	0475380000
ZB 4K GE/GN	Yellow, Green	6 mm	19 mm	20.4 mm	50	0475360000

ZBE 6

Type	Colour	Width	Height	Depth	Qty.	Order No.
ZBE 6K BL	Blue	8 mm	22.5 mm	19.5 mm	50	0525980000
ZBE 6K GE/GN	Yellow, Green	8 mm	22.5 mm	19.5 mm	50	0525960000
ZBE 6K SW	Black	8 mm	22.5 mm	19.5 mm	50	0525910000

ZB 16K

Type	Colour	Width	Height	Depth	Qty.	Order No.
ZB 16K BL	Blue	10 mm	19 mm	26.8 mm	50	0502880000
ZB 16K GE/GN	Yellow, Green	10 mm	19 mm	26.8 mm	50	0502860000

ZB 35K

Type	Colour	Width	Height	Depth	Qty.	Order No.
ZB 35K BL M6X16	Blue	14 mm	32 mm	34 mm	20	0502680000
ZB 35K GE/GN M6X16	Yellow, Green	14 mm	32 mm	34 mm	20	0502660000
ZB 35K SW M6X16	Black	14 mm	32 mm	34 mm	20	0502610000

ZF 4 S

Type	Colour	Width	Height	Depth	Qty.	Order No.
ZF 4 S	Dark Beige	6.1 mm	24.5 mm	22 mm	50	1814680000
ZF 4 S BL	Blue	6.1 mm	24.5 mm	22 mm	50	1814660000
ZF 4 S GN	Green	6.1 mm	24.5 mm	22 mm	50	1814670000

ZB 4 / 6K

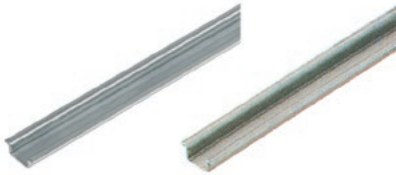
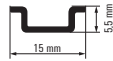
Type	Colour	Width	Height	Depth	Qty.	Order No.
ZB 4/6K BL	Blue	6 mm	25 mm	14.7 mm	50	0565480000
ZB 4/6K GE/GN	Yellow, Green	6 mm	25 mm	14.7 mm	50	0565460000

ZB 16 / 6K

Type	Colour	Width	Height	Depth	Qty.	Order No.
ZB 16/6K GE/GN	Yellow, Green	10 mm	25 mm	30.7 mm	50	0569660000

TS 15 terminal rail

unslotted

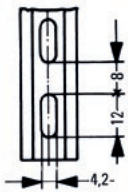


TS 15 x 5

Type	Max. permitted rated current for PEN function	Height	Length	Qty.	Order No.
Aluminium					
TS 15X5 2M/AL/BK	76.00 A	5.5 mm	2000 mm	2	0134700000
Steel, galvanised and passivated					
TS 15X5 2M/ST/ZN		5.5 mm	2000 mm	2	0514200000

TS 15 terminal rail

with slot



TS 15 x 5

Type	Max. permitted rated current for PEN function	Height	Length	Qty.	Order No.
Steel, galvanised and passivated					
TS 15X5/LL 2M/ST/ZN		5.5 mm	2000 mm	2	0117500000
TS 15X5/LL 1M/ST/ZN		5.5 mm	1000 mm	1	0117510000

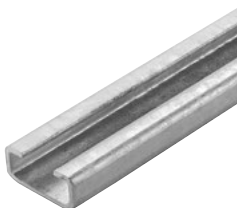
TS 20 terminal rail



TS 20 x 10

Type	Max. permitted rated current for PEN function	Height	Length	Qty.	Order No.
Steel, galvanised and passivated					
TS 20/CX10 2M/ST/ZN		10 mm	2000 mm	2	0316400000

TS 27 terminal rail



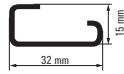
TS 27 x 12.5

Type	Max. permitted rated current for PEN function	Height	Length	Qty.	Order No.
Steel, galvanised and passivated					
TS 27X12.5M/ST/F-ZN		12,5 mm	2000 mm	2	1802690000

Mounting accessories – DIN rails

TS 32 terminal rail

unslotted

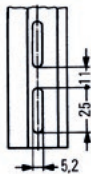


TS 32 x 15

Type	Max. permitted rated current for PEN function	Height	Length	Qty.	Order No.
Aluminium					
TS 32X15 2M/AL/BK	192.00 A	33 mm	2000 mm	2	0169300000
Steel, galvanised and passivated					
TS 32X15 2M/ST/ZN		33 mm	2000 mm	2	0122800000
Stainless steel					
TS 32X15 2M/CRN		33 mm	2000 mm	2	0293220000
TS 32X15 2M/AL/BK: max. permitted rated current for PEN function = 192 A					

TS 32 terminal rail

with slot



TS 32 x 15

Type	Max. permitted rated current for PEN function	Height	Length	Qty.	Order No.
Steel, galvanised and passivated					
TS 32X15/LL 2M/ST/ZN		33 mm	2000 mm	2	0514400000

TS 35 x 7.5 terminal rail

unslotted

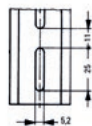


TS 35 x 7.5

Type	Max. permitted rated current for PEN function	Height	Length	Qty.	Order No.
Aluminium					
TS 35X7.5 2M/AL/BK	125.00 A	35 mm	2000 mm	2	0330800000
Steel, galvanised and passivated					
TS 35X7.5 2M/ST/ZN		35 mm	2000 mm	2	0383400000
TS 35X7.5 1M/ST/ZN		35 mm	1000 mm	1	0383410000
Stainless steel					
TS 35X7.5 2M/CRN		35 mm	2000 mm	2	1747350000
TS 35X7.5 2M/AL/BK: max. permitted rated current for PEN function = 125 A					

TS 35 x 7.5 terminal rail

with slot

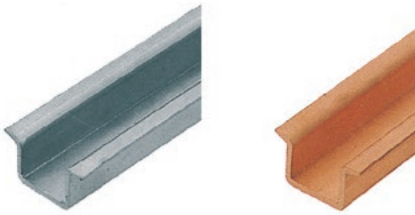


TS 35 x 7.5

Type	Max. permitted rated current for PEN function	Height	Length	Qty.	Order No.
Steel, galvanised and passivated					
TS 35X7.5/LL 2M/ST/ZN		35 mm	2000 mm	2	0514500000
TS 35X7.5/LL 1M/ST/ZN		35 mm	1000 mm	1	0514510000
TS 35X7.5/LL/6 2M/ST/ZN		35 mm	2000 mm	2	0514570000

TS 35 x 15 terminal rail

unslotted



TS 35 x 15

Type	Max. permitted rated current for PEN function	Height	Length	Qty.	Order No.
Copper					
TS 35X15/2.3 2M/CU/BK	309.00 A	35 mm	2000 mm	2	0270100000
Steel, galvanised and passivated					
TS 35X15/2.3 2M/ST/ZN		35 mm	2000 mm	2	0498000000
Aluminium					
TS 35X15/2.3 2M/AL/BK	192.00 A	35 mm	2000 mm	2	1848290000

max. permitted rated current for PEN function: TS 35X15/2.3 2M/CU/BK = 309 A / TS 35X15/2.3 2M/AL/BK = 192 A

TS 35 x 15 terminal rail

unslotted



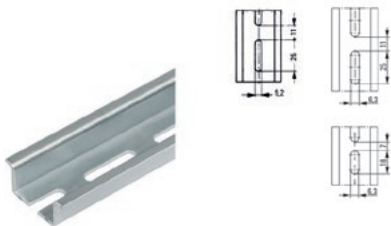
TS 35 x 15

Type	Max. permitted rated current for PEN function	Height	Length	Qty.	Order No.
Steel, galvanised and passivated					
TS 35X15 2M/ST/ZN		35 mm	2000 mm	2	0236400000

max. permitted rated current for PEN function: TS 35X15/2.3 2M/CU/BK = 309 A / TS 35X15/2.3 2M/AL/BK = 192 A

TS 35 x 15 terminal rail

with slot



TS 35 x 15

Type	Max. permitted rated current for PEN function	Height	Length	Qty.	Order No.
Steel, galvanised and passivated					
TS 35X15/LL 2M/ST/ZN		35 mm	2000 mm	2	0236500000
TS 35X15/LL 1M/ST/ZN		35 mm	1000 mm	1	0236510000
TS 35X15/6X18 2M/ST/ZN		35 mm	2000 mm	2	1805980000
TS 35X15/6X25 2M/ST/ZN		35 mm	2000 mm	2	1866290000

TS 35 x 15 terminal rail

unslotted



TSK 35 x 15

Type	Max. permitted rated current for PEN function	Height	Length	Qty.	Order No.
Plastic PVC RAL 7035					
TSK 35X15 2M PVC/GR		15 mm	2000 mm	2	0514300000

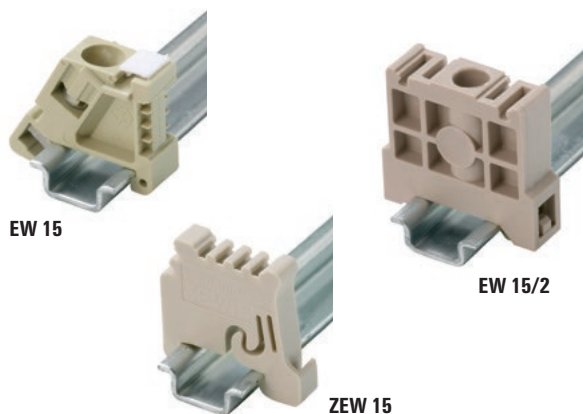
End cap for TS 35



End cap for TS 35

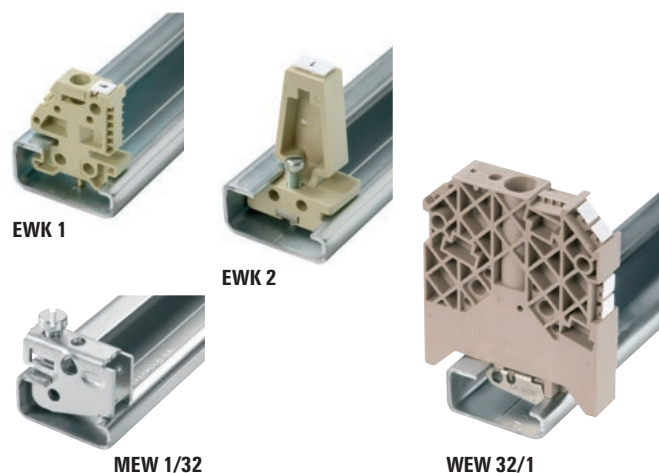
Type	Max. permitted rated current for PEN function	Height	Length	Qty.	Order No.
End cap TS 35 x 7.5					
TS END CAP 35X7.5		37.5 mm		100	1283470000
End cap TS 35 x 15					
TS END CAP 35X15		37.5 mm		100	1283480000

for TS 15 terminal rail



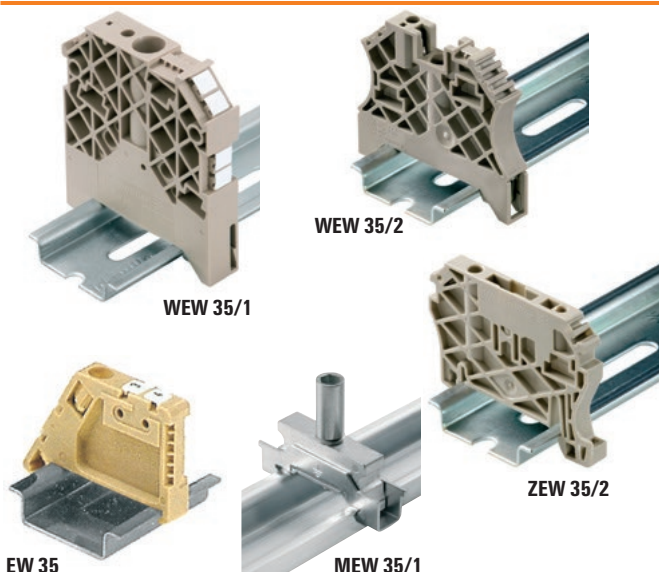
Type	Colour	Torque	Qty.	Order No.
Polyamide 66, screwable				
EW 15	Beige		50	0382860000
Polyamide with fibre glass, screwable				
EW 15/2	Dark Beige		50	1071900000
Polyamide 66, screwless				
ZEW 15	Beige		20	7920340000

for TS 32 terminal rail



Type	Colour	Torque	Qty.	Order No.
Polyamide 66, screwable				
EWK 2	Beige		50	0199360000
EWK 1	Beige		50	0206160000
Polyamide with fibre glass, screwable				
WEW 32/1	Dark Beige		50	1067600000
Metal, screwable				
MEW 1/32	Grey		20	0445600000

for TS 35 terminal rail



Type	Colour	Torque	Qty.	Order No.
Polyamide with fibre glass, screwable				
WEW 35/1	Dark Beige	1.2 Nm	50	1059000000
WEW 35/2	Dark Beige	0.5 Nm	100	1061200000
WEW 35/1 GR	Grey	1.2 Nm	50	1227890000
WEW 35/1 SW	Black	1.2 Nm	50	1162600000
WEW 35/2 GR 7042	Grey	0.5 Nm	100	1859200000
WEW 35/2 SW	Black	0.5 Nm	100	1061210000
Polyamide 66, screwless				
ZEW 35	Dark Beige		20	9540000000
ZEW 35/2	Dark Beige		20	8630740000
ZEW 35 GR	Grey		20	1238040000
ZEW 35/2 GR	Grey		20	1227850000
ZEW 35/2 SW	Black		20	1162610000
Polyamide 66, screwable				
EW 35	Beige	0.5 Nm	50	0383560000
EW 35 GR 7032	Grey		50	0383530000
EW 35 DB	Dark Beige		50	1269050000
Metal, screwable				
MEW 35/1	Grey		10	1805610000

For busbar cross-section 10 x 3, 6 x 6For busbar cross-section 10 x 3, 6 x 6

Terminal rail support



TSTW 5/M5
TSTW 5/M5 verzinkt
TSTW 6/M6

Type	Internal thread	Qty.	Order No.
TSTW 5/M5	M 5	10	0178100000
TSTW 5/M5 ZN	M 5	10	1779100000
TSTW 6/M6	M 6	10	0164000000

Terminal rail supports of type TSTW serve for angled mounting of terminal rails at an angle of 35°.

Terminal rail support



TST

Type	Internal thread	Qty.	Order No.
TST 2/M5	M 5	10	1286600000
TST 2/M6	M 6	10	0101700000

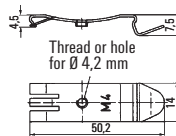
Type	Qty.	Order No.
Mounting plates and fastening screws		
FKSC M6X8 D9/SW3	50	0642600000
Mounting screw		
FKSC M5X8 D9/SW2.5	50	0295900000
FKSC M6X12 D9/SW3	50	0353500000

The TST terminal rail support serves to install terminal rails in the frame or using a cut-out. For the terminal rail supports, Weidmüller offers fastening screws with hexagonal socket and an especially low head, such that terminal blocks can also be mounted above the screw.

Mounting feet



FM 4



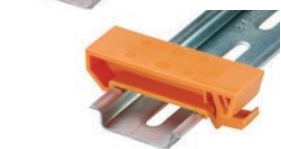
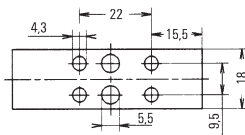
FM 5, FM 6 and FM 4.2: similar to illustrations

Type	Internal thread	Qty.	Order No.
FM 4 foot			
FM 4/TS35		40	0687900000
FM 5/TS35		40	0636800000
FM 6/TS35		40	0636900000
FM 4.2/TS35		40	1724580000

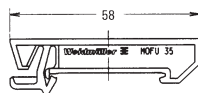
Mounting feet



MOFU 35/LO/1

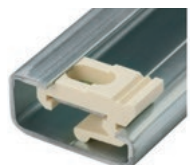


MOFU 35

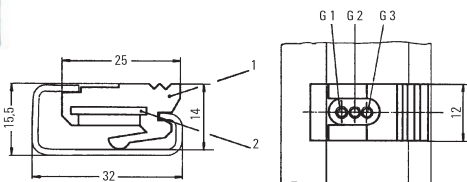


Type	Internal thread	Qty.	Order No.
MOFU 35/LO/1		20	0646260000
MOFU 35		20	0495660000
MOFU 35/LO/1 SW		20	0646210000

Mounting feet



MB



Type	Internal thread	Qty.	Order No.
MB M3/M5 CRM		20	0503500000
MB M5/M3 SW		20	0553400000
MB M6/M4 GR		20	0334900000

The sliding nuts for the TS 32 terminal rails are each fitted with two threaded holes for M3 + M5/M6 + M4/M5 + M3 screws. They serve to attach components that cannot be directly snapped onto the TS 32 and particularly to hold the smaller TS 15 top-hat rail. For example, small terminal blocks can firstly be snapped onto the TS 15 and then this rail can be attached to the TS 32 using the sliding nuts.

ADP

Cover strips



HP

Retaining plates



Material: unplasticised PVC
 Supplied in 1 m lengths
 Temperature limit: max. 70 °C

transparent Type	Order No.
ADP 1 	0485200000
ADP 2 	0485300000
ADP 3 	0485400000
ADP 4 (1000 mm) 	1430760000

transparent Type	Order No.
ADP 4 (300 mm) 	1378160000

Material: PA 66
 Thickness: 2 mm

For mounting on TS 35 / TS 32, with spigot for lead seal Type	Order No.
HP 1 	0485560000
HP 2 	0485660000
HP 3 	0485760000
HP 4 	0485860000
For mounting on TS 15 Type	Order No.
HP 7 	0258260000

Covers

Overall dimensions	A	A	A	A	B	C
for mounting on terminal rails	TS 32	TS 35 x 7.5	TS 35 x 15	TS 15		
ADP 1, HP 1	61	56	63		49	6
ADP 2, HP 2	77	72	79		62.5	6
ADP 3, HP 3	94	89	86		92	6
ADP 3, HP 4	73.5	68.5	75.5		92	6
Marking materials	Type	Qty.	Order No.			
Card with warning "lightning flash", self adhesive 20 pcs. per card	BEZ-KARTE ADP	10	0566700000			